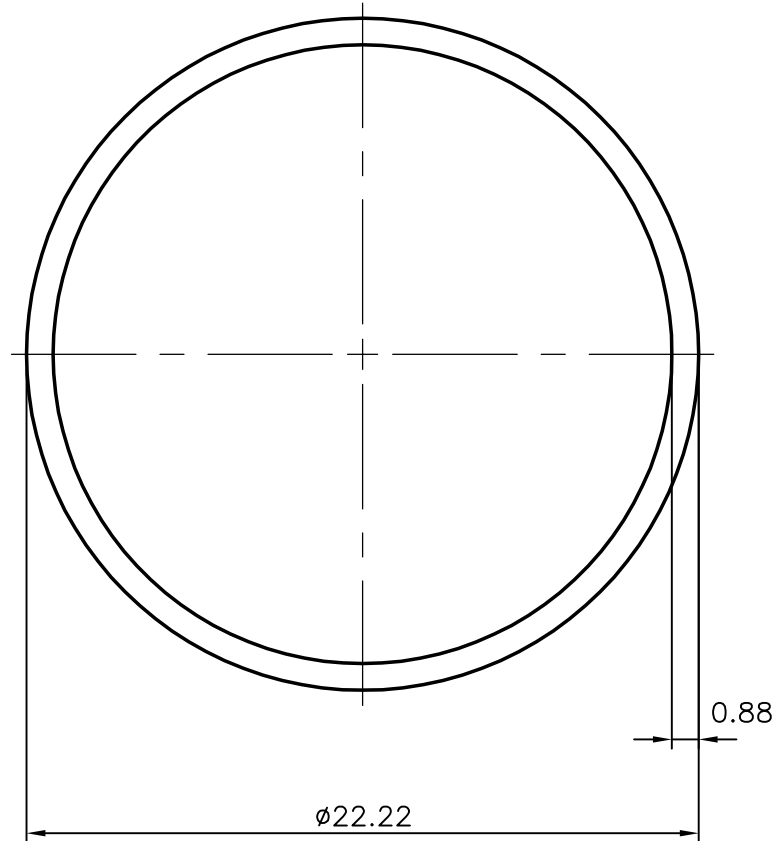


2022

13019

1:1



SYMBOL OF QUALITY
AN ISO 9001 COMPANY

JINDAL ALUMINIUM LTD.
BANGALORE-560073 (INDIA)

	NAME	DATE
DRAWN	j.p.kaushik	05.10.2005
CHECKED		
APPROVED		

1. ALL DIMENSIONS ARE IN mm.
2. ROUND OFF ALL SHARP CORNERS WITH 0.40 mm.
3. TOLERANCES WILL BE AS PER IS: 2673-2002 UNLESS OTHERWISE SPECIFIED

SCALE	4:1
AREA mm ²	58.997
PERIMETER mm.	69.806
WEIGHT kg/m	0.159

PARTY'S NAME	—	DRAWING No.	2022	SECTION No.	2022
PARTY'S DRAWING No.	—		13019		13019
ALLOY & TEMPER	HE9 WP				
DESCRIPTION	ROUND TUBE				