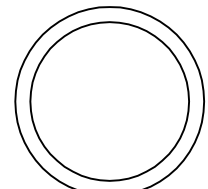
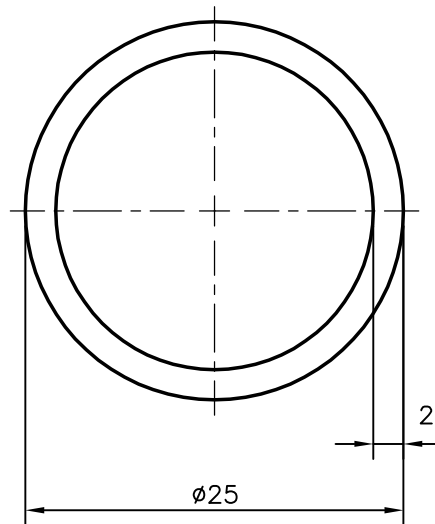



2023

13020



1:1



 SYMBOL OF QUALITY AN ISO 9001 COMPANY	JINDAL ALUMINIUM LTD. <i>BANGALORE-560073 (INDIA)</i>		NAME	DATE
		DRAWN	J.P.KAUSHIK	11-03-2006
1. ALL DIMENSIONS ARE IN mm. 2. ROUND OFF ALL SHARP CORNERS WITH 0.40 mm. 3. TOLERANCES WILL BE AS PER IS:2673-2002 UNLESS OTHERWISE SPECIFIED		CHECKED		
		APPROVED		
PARTY'S NAME GENERAL CATEGORY		SCALE	2:1	
		AREA mm ²	144.513	
PARTY'S DRAWING No. NIL		PERIMETER mm.	78.54	
		WEIGHT kg/m	0.390	
ALLOY & TEMPER HE9 WP		DRAWING No.	SECTION No.	
		2023	2023	
DESCRIPTION ROUND TUBE		13020	13020	