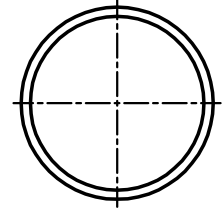


2025

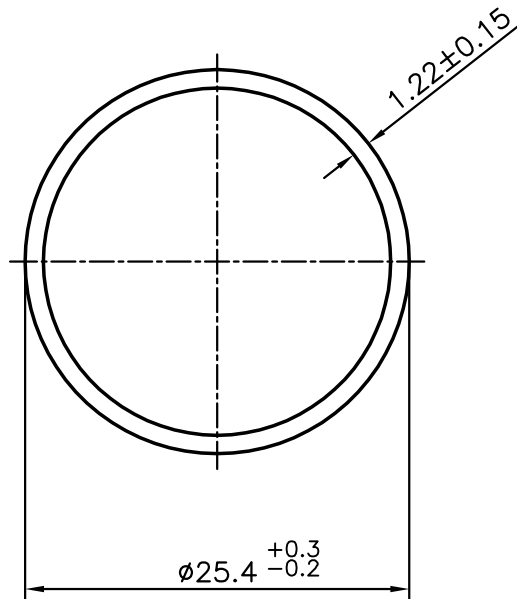
13022



1:1

NOTE:-

TOLERANCE ADDED ON DIMENSIONS :-

 $\phi 25.4 \begin{matrix} +0.30 \\ -0.20 \end{matrix}$ 1.22 ± 0.15 **NOTE :-**

**TOLERANCE FOR REEFRIGERATION TUBES TO BE
FOLLOWED AS PER IS : 9612-1980**



SYMBOL OF QUALITY
AN ISO 9001 COMPANY

JINDAL ALUMINIUM LTD.
BANGALORE-560073 (INDIA)

	NAME	DATE
DRAWN	D.K Shaw	29-09-03
CHECKED		
APPROVED		
SCALE	2:1	
AREA mm ²	92.68	
PERIMETER mm.	79.79	
WEIGHT kg/m	0.250	
DRAWING No.	SECTION No.	
2025	2025(ISSUE-2)	
13022	13022	

1. ALL DIMENSIONS ARE IN mm.
2. ROUND OFF ALL SHARP CORNERS WITH 0.40 mm.
3. TOLERANCES WILL BE AS PER 2673-1979 UNLESS OTHERWISE SPECIFIED

PARTY'S NAME	-
PARTY'S DRAWING No.	-
ALLOY & TEMPER	HE9 WP
DESCRIPTION	ROUND TUBE