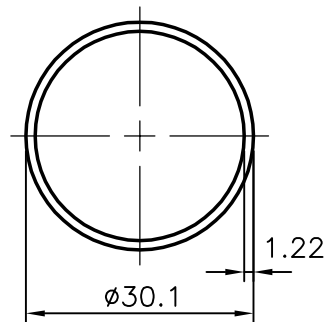



2027

13024



 SYMBOL OF QUALITY AN ISO 9001 COMPANY	JINDAL ALUMINIUM LTD. <i>BANGALORE-560073 (INDIA)</i>	NAME		DATE
		DRAWN	j.p.kaushik	05.10.2005
1. ALL DIMENSIONS ARE IN mm. 2. ROUND OFF ALL SHARP CORNERS WITH 0.40 mm. 3. TOLERANCES WILL BE AS PER IS: 2673-2002 UNLESS OTHERWISE SPECIFIED		CHECKED		
		APPROVED		
PARTY'S NAME		SCALE		1:1
		AREA mm ²		110.69
PARTY'S DRAWING No.		PERIMETER mm.		94.562
		WEIGHT kg/m		0.299
ALLOY & TEMPER		DRAWING No.	SECTION No.	
		2027	2027	
DESCRIPTION		13024	13024	
HE9 WP				
ROUND TUBE				