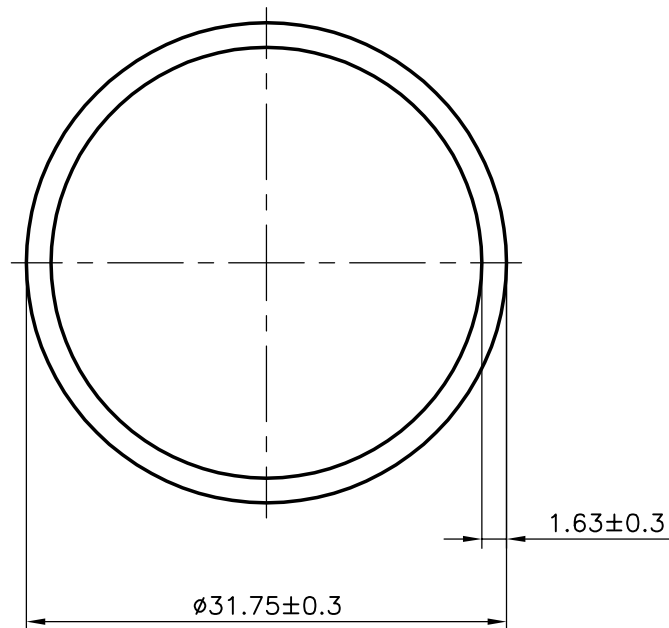
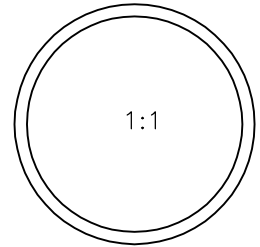


2029

13026



SYMBOL OF QUALITY
AN ISO 9001 COMPANY

JINDAL ALUMINIUM LTD.
BANGALORE-560073 (INDIA)

	NAME	DATE
DRAWN	PRASHANT	14-11-2006
CHECKED		
APPROVED		
SCALE		2:1
AREA mm ²		154.238
PERIMETER mm.		99.746
WEIGHT kg/m		0.416
DRAWING No.	SECTION No.	
2029	2029	
13026	13026	

1. ALL DIMENSIONS ARE IN mm.
2. ROUND OFF ALL SHARP CORNERS WITH 0.40 mm.
3. TOLERANCES WILL BE AS PER IS:2673-2002 UNLESS OTHERWISE SPECIFIED

PARTY'S NAME	GENERAL CATEGORY
PARTY'S DRAWING No.	—
ALLOY & TEMPER	AS PER REQUIRMENT
DESCRIPTION	ROUND TUBE