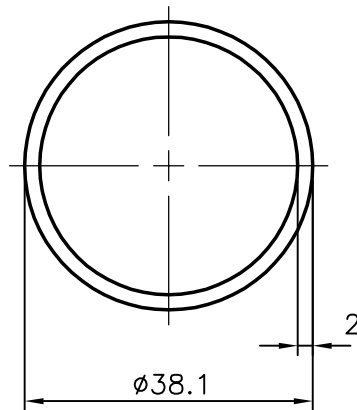



2033

13029



 SYMBOL OF QUALITY AN ISO 9001 COMPANY	<b>JINDAL ALUMINIUM LTD.</b> BANGALORE-560073 (INDIA)	NAME	DATE
		DRAWN	j.p.kaushik
1. ALL DIMENSIONS ARE IN mm. 2. ROUND OFF ALL SHARP CORNERS WITH 0.40 mm. 3. TOLERANCES WILL BE AS PER IS: 2673-2002 UNLESS OTHERWISE SPECIFIED		CHECKED	
		APPROVED	
PARTY'S NAME -		SCALE	1:1
		AREA mm <sup>2</sup>	226.823
PARTY'S DRAWING No. -		PERIMETER mm.	119.695
		WEIGHT kg/m	0.612
ALLOY & TEMPER HE9 WP		DRAWING No.	SECTION No.
		2033	2033
DESCRIPTION ROUND TUBE		13029	13029