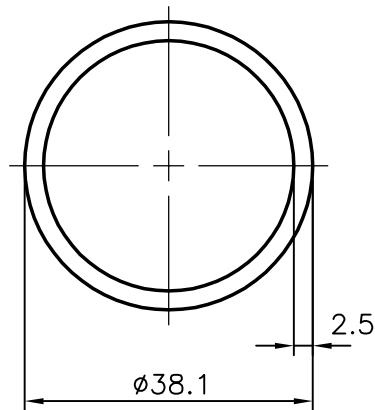



2034

13030



| | | | | |
|---|---|----------------------|-------------|------------|
|  SYMBOL OF QUALITY AN ISO 9001 COMPANY | JINDAL ALUMINIUM LTD. <i>BANGALORE-560073 (INDIA)</i> | NAME | | DATE |
| | | DRAWN | j.p.kaushik | 05.10.2005 |
| 1. ALL DIMENSIONS ARE IN mm. 2. ROUND OFF ALL SHARP CORNERS WITH 0.40 mm. 3. TOLERANCES WILL BE AS PER IS: 2673-2002 UNLESS OTHERWISE SPECIFIED | | CHECKED | | |
| | | APPROVED | | |
| PARTY'S NAME | | SCALE | | 1:1 |
| | | AREA mm ² | | 279.602 |
| PARTY'S DRAWING No. | | PERIMETER mm. | | 119.695 |
| | | WEIGHT kg/m | | 0.755 |
| ALLOY & TEMPER | | DRAWING No. | SECTION No. | |
| | | 2034 | 2034 | |
| DESCRIPTION | | 13030 | 13030 | |
| | | | | |
| HE9 WP | | | | |
| ROUND TUBE | | | | |