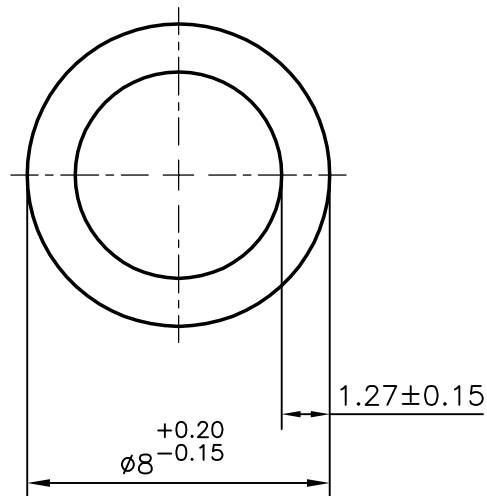


2042

13036



1:1



2

TOLERANCES FOR REFRIGERATION TUBES TO BE FOLLOWED AS PER IS : 9612-1980

ISSUE

DESCRIPTION

CHD BY

APPD BY

## REVISION

**JINDAL ALUMINIUM LTD.****BANGALORE-560073**

NAME

DATE

DRAWN

R.D.Sharma

27-12-96

CHECKED

APPROVED

1. ALL DIMENSIONS ARE IN mm.  
 2. ROUND OFF ALL SHARP CORNERS WITH 0.4 mm.  
 3. TOLERANCES WILL BE AS PER IS: 2673-1979 ,UNLESS OTHERWISE SPECIFIED

PARTY'S NAME

KELVINATOR, FARIDABAD

SCALE

5:1

PARTY'S DRAWING No.

-

WEIGHT kg/m

0.072

ALLOY &amp; TEMPER

E1E 'M'

SECTION No.

13036

LENGTH

COILED

DRAWING No.

DESCRIPTION

ROUND TUBE

13036