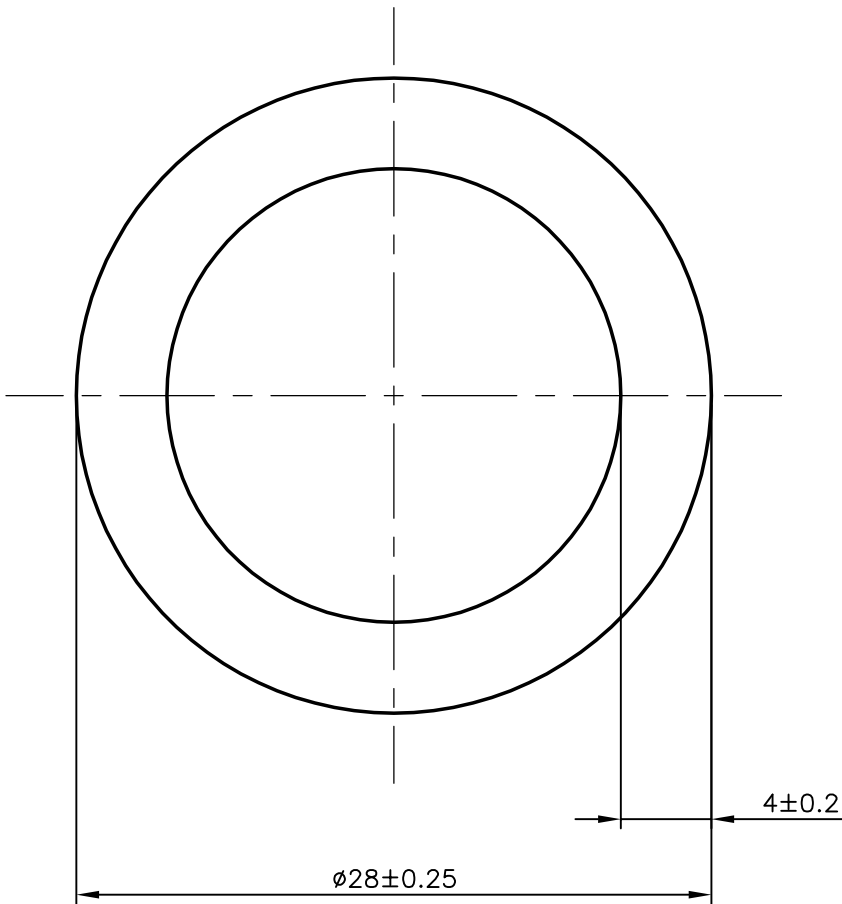
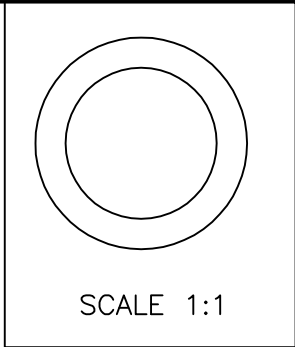



2044
13038
-



OVALITY IS $\pm 0.25\text{mm}$
 ECCENTRICITY IS $\pm 0.30\text{mm}$

 SYMBOL OF QUALITY AN ISO 9001 COMPANY	JINDAL ALUMINIUM LTD. BANGALORE-560073 (INDIA)		NAME	DATE
		DRAWN	PRASANNA.H.	21-12-2006
1. ALL DIMENSIONS ARE IN mm. 2. ROUND OFF ALL SHARP CORNERS WITH 0.40 mm. 3. TOLERANCES WILL BE AS PER IS:2673-2002 UNLESS OTHERWISE SPECIFIED		CHECKED		
		APPROVED		
PARTY'S NAME -		SCALE		3:1
		AREA mm ²		301.593
PARTY'S DRAWING No. -		PERIMETER mm.		87.965
		WEIGHT kg/m		0.814
ALLOY & TEMPER HE9 WP		DRAWING No.	SECTION No.	
		2044	2044	
DESCRIPTION ROUND TUBE		13038	13038	
		-	-	