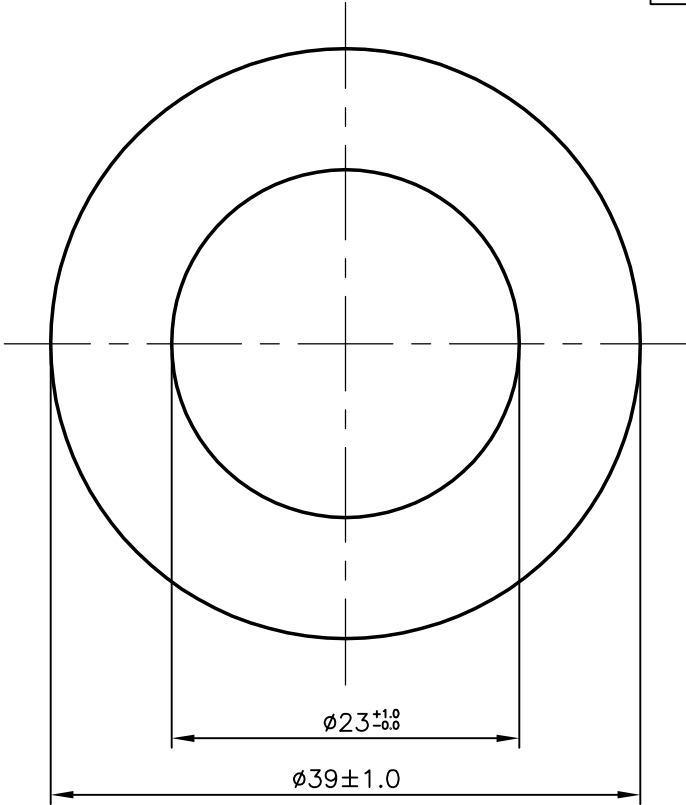
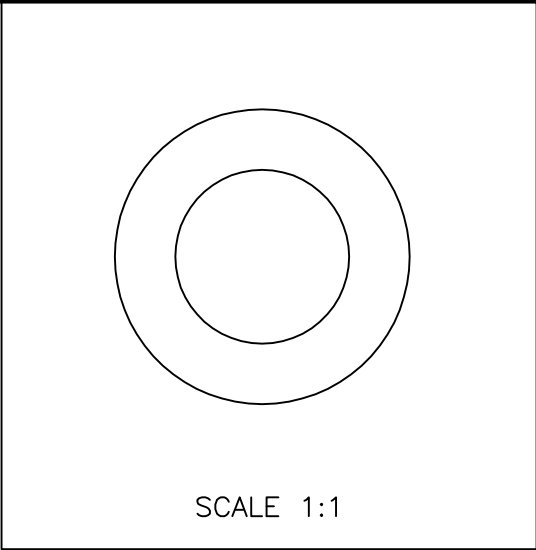



2049
13041
—



 SYMBOL OF QUALITY AN ISO 9001 COMPANY	<b>JINDAL ALUMINIUM LTD.</b> <i>BANGALORE-560073 (INDIA)</i>	NAME		DATE
		DRAWN	PRASANNA.H.	21-12-2006
1. ALL DIMENSIONS ARE IN mm. 2. ROUND OFF ALL SHARP CORNERS WITH 0.40 mm. 3. TOLERANCES WILL BE AS PER IS:2673-2002 UNLESS OTHERWISE SPECIFIED		CHECKED		
		APPROVED		
PARTY'S NAME MYSORE PORCELIAN LTD., BANGALORE		SCALE		2:1
		AREA mm <sup>2</sup>		779.115
PARTY'S DRAWING No. —		PERIMETER mm.		122.522
		WEIGHT kg/m		2.103
ALLOY & TEMPER E91E W		DRAWING No.	SECTION No.	
		2049	2049	
DESCRIPTION ROUND TUBE		13041	13041	
		—	—	