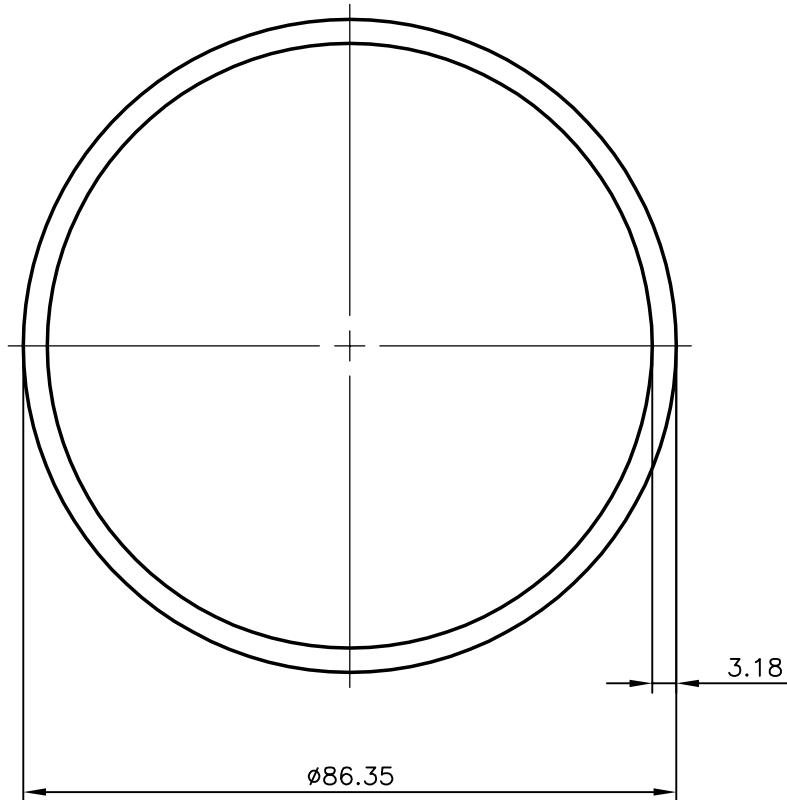



|       |
|-------|
| 2053  |
| 13045 |
| —     |



|  |  |                      |             |            |
|--|--|----------------------|-------------|------------|
| <br>SYMBOL OF QUALITY<br>AN ISO 9001 COMPANY                      | <b>JINDAL ALUMINIUM LTD.</b><br>BANGALORE-560073 (INDIA) |                      | NAME        | DATE       |
|  |  | DRAWN                | PRASANNA.H. | 21-12-2006 |
| 1. ALL DIMENSIONS ARE IN mm.<br>2. ROUND OFF ALL SHARP CORNERS WITH 0.40 mm.<br>3. TOLERANCES WILL BE AS PER IS:2673-2002 UNLESS OTHERWISE SPECIFIED |  | CHECKED              |             |            |
|  |  | APPROVED             |             |            |
| PARTY'S NAME<br>—  |  | SCALE                |             | 1:1        |
|  |  | AREA mm <sup>2</sup> |             | 830.89     |
| PARTY'S DRAWING No.<br>—   |  | PERIMETER mm.        |             | 271.277    |
|  |  | WEIGHT kg/m          |             | 2.243      |
| ALLOY & TEMPER<br>AS PER REQUIREMENT   |  | DRAWING No.          | SECTION No. |            |
|  |  | 2053                 | 2053        |            |
| DESCRIPTION<br>ROUND TUBE  |  | 13045                | 13045       |            |
|  |  | —                    | —           |            |