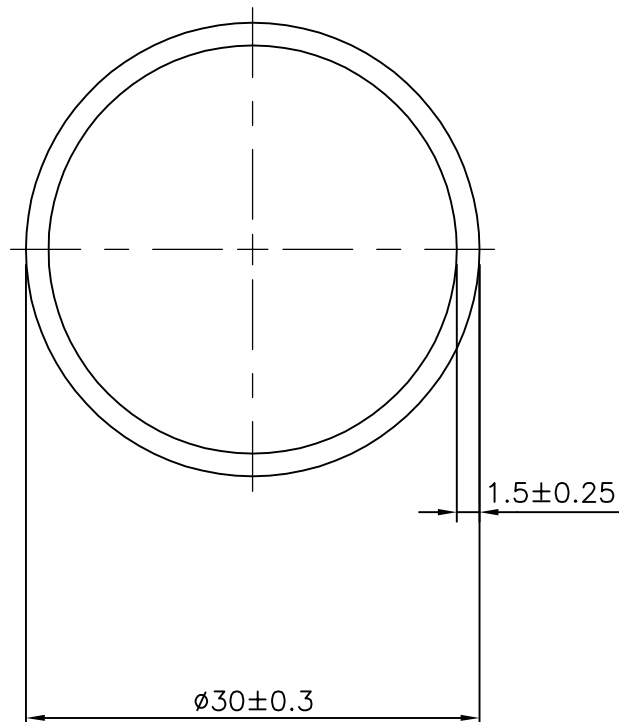
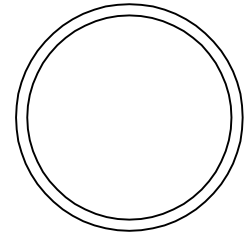


2056

13047



SYMBOL OF QUALITY
AN ISO 9001 COMPANY

JINDAL ALUMINIUM LTD.
BANGALORE-560073 (INDIA)

	NAME	DATE
DRAWN	J.P.KAUSHIK	06.10.2005
CHECKED		
APPROVED		

1. ALL DIMENSIONS ARE IN mm.
2. ROUND OFF ALL SHARP CORNERS WITH 0.40 mm.
3. TOLERANCES WILL BE AS PER IS: 2673-1979 UNLESS OTHERWISE SPECIFIED

SCALE	2:1
AREA mm ²	134.303
PERIMETER mm.	94.248
WEIGHT kg/m	0.363

PARTY'S NAME	TEXTILE MACHINERY DEVELOPMENTS.,COIMBATORE
PARTY'S DRAWING No.	AS PER SPECIFICAYION
ALLOY & TEMPER	HE9 WP
DESCRIPTION	ROUND TUBE

DRAWING No.	SECTION No.
2056	2056
13047	13047