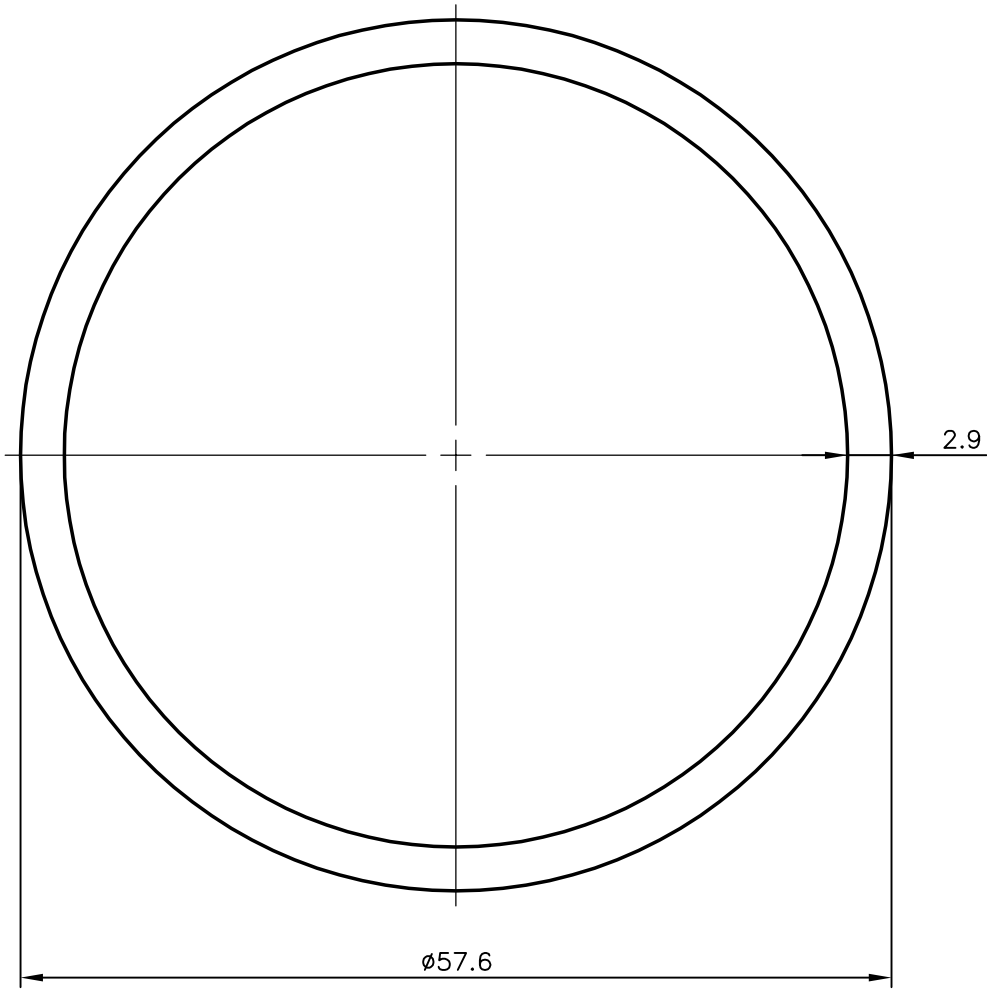
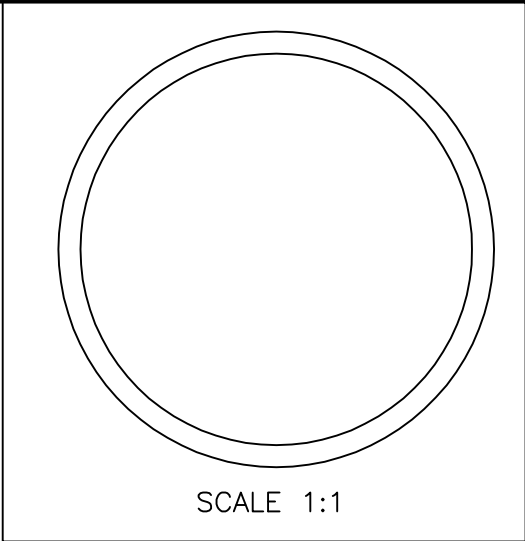



| |
|-------|
| 2058 |
| 13049 |
| — |



| | | | | |
|--|--|----------------------|-------------|------------|
|  SYMBOL OF QUALITY AN ISO 9001 COMPANY | JINDAL ALUMINIUM LTD. BANGALORE-560073 (INDIA) | NAME | | DATE |
| | | DRAWN | PRASANNA.H. | 21-12-2006 |
| 1. ALL DIMENSIONS ARE IN mm. 2. ROUND OFF ALL SHARP CORNERS WITH 0.40 mm. 3. TOLERANCES WILL BE AS PER IS:2673-2002 UNLESS OTHERWISE SPECIFIED | | CHECKED | | |
| | | APPROVED | | |
| PARTY'S NAME — | | SCALE | | 2:1 |
| | | AREA mm ² | | 498.351 |
| PARTY'S DRAWING No. — | | PERIMETER mm. | | 180.956 |
| | | WEIGHT kg/m | | 1.346 |
| ALLOY & TEMPER AS PER REQUIREMENT | | DRAWING No. | SECTION No. | |
| | | 2058 | 2058 | |
| DESCRIPTION ROUND TUBE | | 13049 | 13049 | |
| | | — | — | |