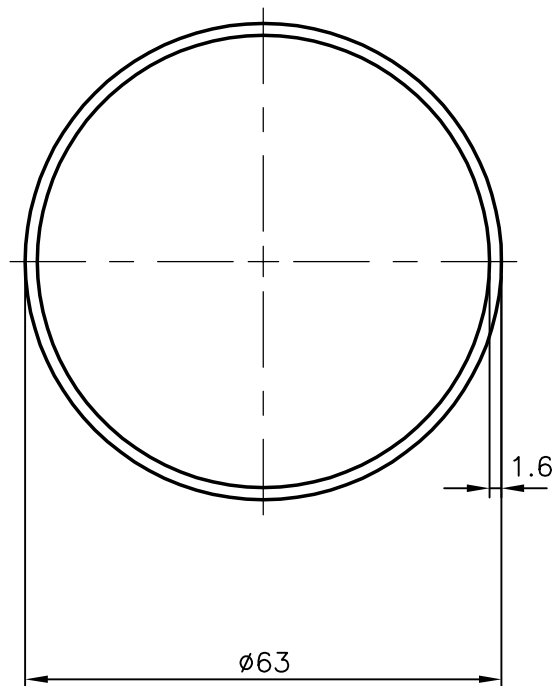


2062

13050



SYMBOL OF QUALITY  
AN ISO 9001 COMPANY

**JINDAL ALUMINIUM LTD.**  
*BANGALORE-560073 (INDIA)*

	NAME	DATE
DRAWN	J.P.KAUSHIK	06.10.2005
CHECKED		
APPROVED		

1. ALL DIMENSIONS ARE IN mm.
2. ROUND OFF ALL SHARP CORNERS WITH 0.40 mm.
3. TOLERANCES WILL BE AS PER IS: 2673-1979 UNLESS OTHERWISE SPECIFIED

SCALE	1:1
AREA mm <sup>2</sup>	308.63
PERIMETER mm.	197.92
WEIGHT kg/m	0.833

PARTY'S NAME	-	DRAWING No.	SECTION No.
PARTY'S DRAWING No.	-	2062	2062
ALLOY & TEMPER	HE9 WP	13050	13050
DESCRIPTION	ROUND TUBE		