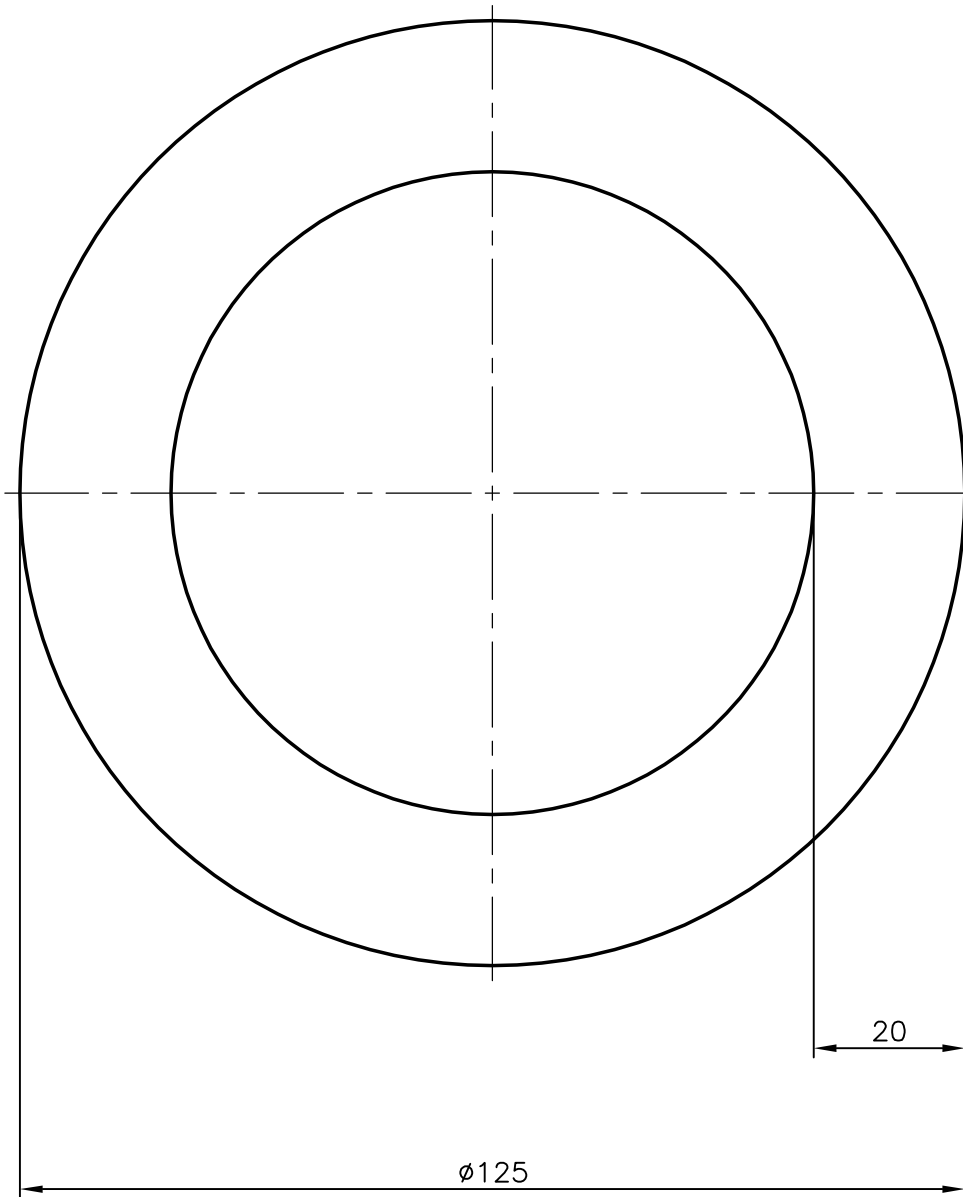



2066
13052
-



 SYMBOL OF QUALITY AN ISO 9001 COMPANY	<b>JINDAL ALUMINIUM LTD.</b> BANGALORE-560073 (INDIA)	NAME		DATE
		DRAWN	PRASANNA.H.	23-01-2007
1. ALL DIMENSIONS ARE IN mm. 2. ROUND OFF ALL SHARP CORNERS WITH 0.40 mm. 3. TOLERANCES WILL BE AS PER IS:2673-2002 UNLESS OTHERWISE SPECIFIED		CHECKED		
		APPROVED		
PARTY'S NAME		SCALE		1:1
		AREA mm <sup>2</sup>		6597.345
PARTY'S DRAWING No.		PERIMETER mm.		392.699
		WEIGHT kg/m		17.813
ALLOY & TEMPER		DRAWING No.	SECTION No.	
		2066	2066	
DESCRIPTION		13052	13052	
		-	-	
AS PER SPECIFICATION				
ROUND TUBE				