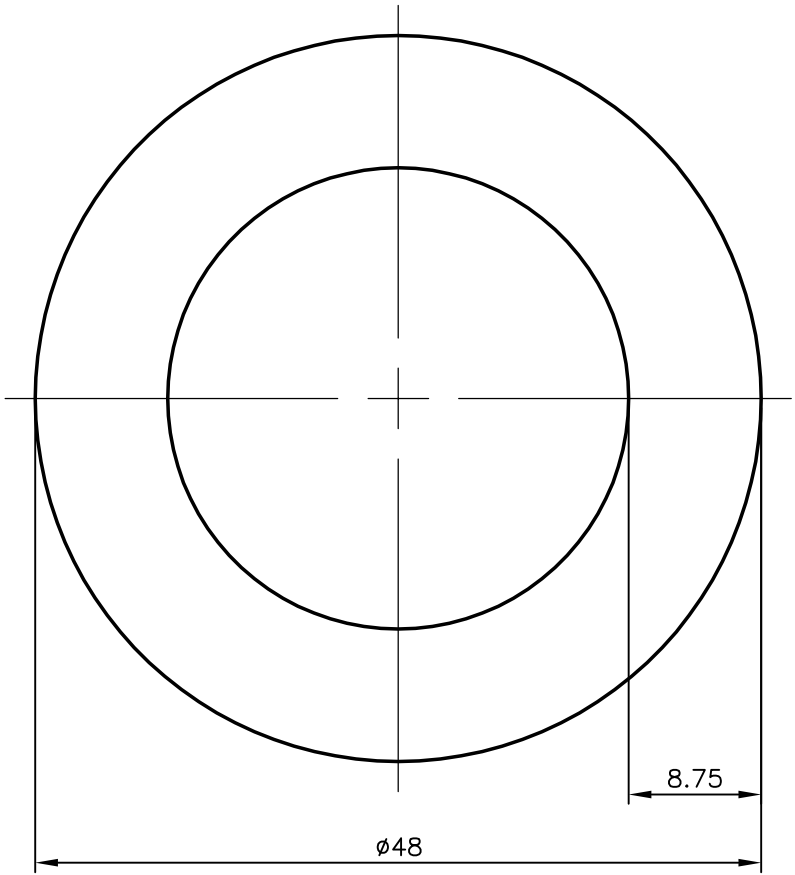
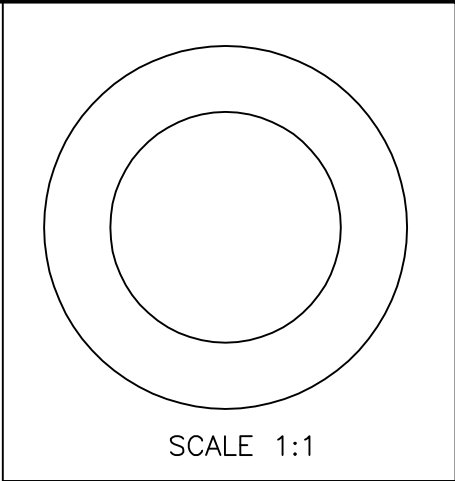



2072
13056
—



 SYMBOL OF QUALITY AN ISO 9001 COMPANY	<b>JINDAL ALUMINIUM LTD.</b> BANGALORE-560073 (INDIA)	NAME		DATE
		DRAWN	PRASANNA.H.	21-12-2006
1. ALL DIMENSIONS ARE IN mm. 2. ROUND OFF ALL SHARP CORNERS WITH 0.40 mm. 3. TOLERANCES WILL BE AS PER IS:2673-2002 UNLESS OTHERWISE SPECIFIED		CHECKED		
		APPROVED		
PARTY'S NAME —		SCALE		2:1
		AREA mm <sup>2</sup>		1078.941
PARTY'S DRAWING No. —		PERIMETER mm.		150.796
		WEIGHT kg/m		2.913
ALLOY & TEMPER AS PER REQUIREMENT		DRAWING No.	SECTION No.	
		2072	2072	
DESCRIPTION ROUND TUBE		13056	13056	
		—	—	