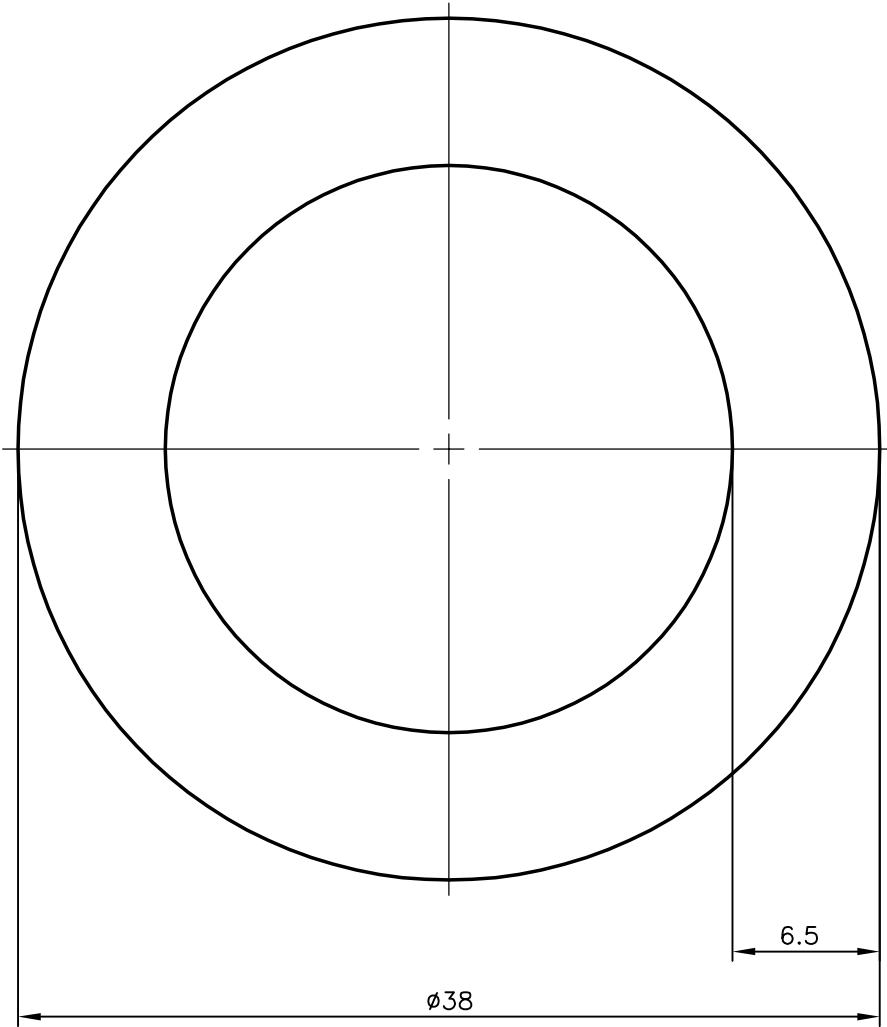
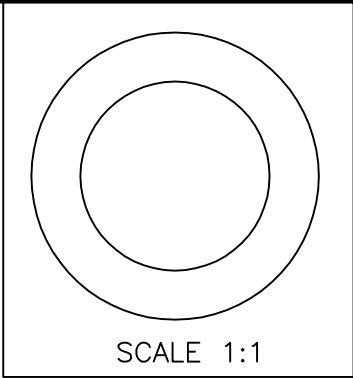



2074
13057
-



 SYMBOL OF QUALITY AN ISO 9001 COMPANY	JINDAL ALUMINIUM LTD. <i>BANGALORE-560073 (INDIA)</i>	NAME		DATE	
		DRAWN	PRASANNA.H.	21-12-2006	
		CHECKED			
1. ALL DIMENSIONS ARE IN mm. 2. ROUND OFF ALL SHARP CORNERS WITH 0.40 mm. 3. TOLERANCES WILL BE AS PER IS:2673-2002 UNLESS OTHERWISE SPECIFIED		APPROVED			
PARTY'S NAME		-		SCALE	3:1
PARTY'S DRAWING No.		-		AREA mm ²	643.241
ALLOY & TEMPER		AS PER REQUIREMENT		PERIMETER mm.	119.381
DESCRIPTION		ROUND TUBE		WEIGHT kg/m	1.737
		DRAWING No.	SECTION No.		
		2074	2074		
		13057	13057		
		-	-		