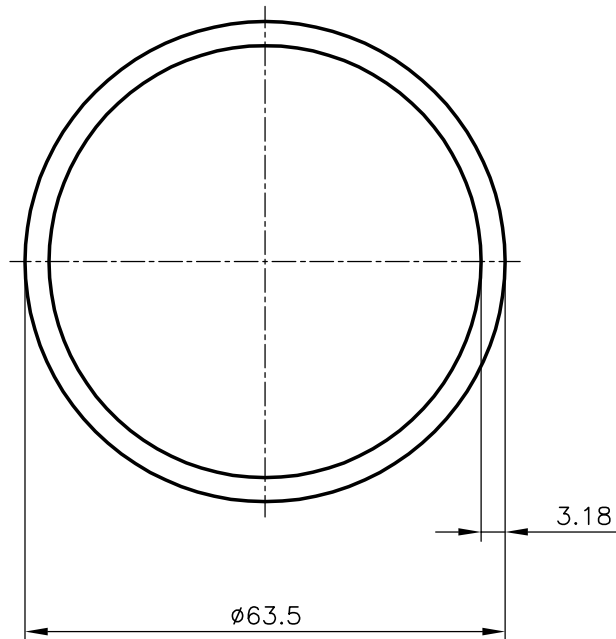


2076

13059



SYMBOL OF QUALITY
AN ISO 9001 COMPANY

JINDAL ALUMINIUM LTD.
BANGALORE-560073 (INDIA)

	NAME	DATE
DRAWN	RAGHAVENDRA	28-03-2005
CHECKED		
APPROVED		

1. ALL DIMENSIONS ARE IN mm.
2. ROUND OFF ALL SHARP CORNERS WITH 0.40 mm.
3. TOLERANCES WILL BE AS PER IS:2673-2002 UNLESS OTHERWISE SPECIFIED

SCALE	1:1
AREA mm ²	602.613
PERIMETER mm.	199.491
WEIGHT kg/m	1.627

PARTY'S NAME

-

DRAWING No.

SECTION No.

PARTY'S DRAWING No.

-

2076

2076

13059

13059

ALLOY & TEMPER

HE9 WP

DESCRIPTION

ROUND TUBE