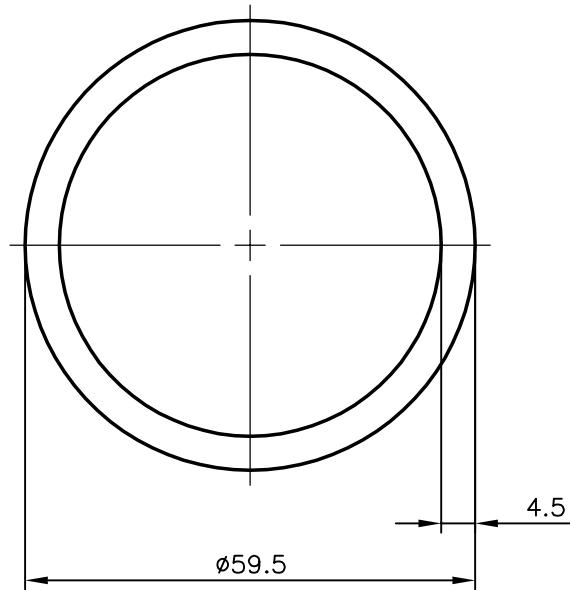


2084

13062

-



SYMBOL OF QUALITY
AN ISO 9001 COMPANY

JINDAL ALUMINIUM LTD.
BANGALORE-560073 (INDIA)

	NAME	DATE
DRAWN	PRASANNA.H.	21-12-2006
CHECKED		
APPROVED		

1. ALL DIMENSIONS ARE IN mm.
2. ROUND OFF ALL SHARP CORNERS WITH 0.40 mm.
3. TOLERANCES WILL BE AS PER IS:2673-2002 UNLESS OTHERWISE SPECIFIED

SCALE	1:1
AREA mm ²	777.544
PERIMETER mm.	186.925
WEIGHT kg/m	2.099

PARTY'S NAME	-	DRAWING No.	2084	SECTION No.	2084
PARTY'S DRAWING No.	-		13062		13062
ALLOY & TEMPER	AS PER REQUIREMENT		-		-
DESCRIPTION	ROUND TUBE				