

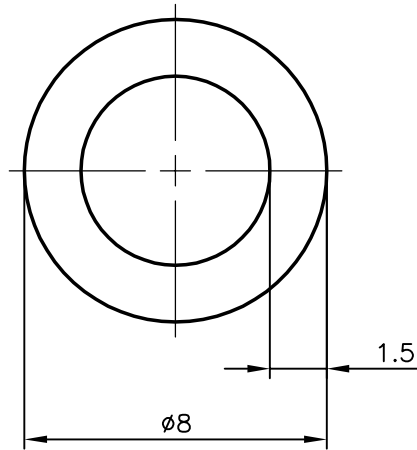
2087

13063

-



SCALE 1:1



SYMBOL OF QUALITY
AN ISO 9001 COMPANY

JINDAL ALUMINIUM LTD.
BANGALORE-560073 (INDIA)

	NAME	DATE
DRAWN	PRASANNA.H.	21-12-2006
CHECKED		
APPROVED		

1. ALL DIMENSIONS ARE IN mm.
2. ROUND OFF ALL SHARP CORNERS WITH 0.40 mm.
3. TOLERANCES WILL BE AS PER IS:2673-2002 UNLESS OTHERWISE SPECIFIED

SCALE	5:1
AREA mm ²	30.631
PERIMETER mm.	25.133
WEIGHT kg/m	0.083

PARTY'S NAME	-	DRAWING No.	2087	SECTION No.	2087
PARTY'S DRAWING No.	-	13063	13063		
ALLOY & TEMPER	AS PER REQUIREMENT	-	-		
DESCRIPTION	REFRIGERATION TUING				