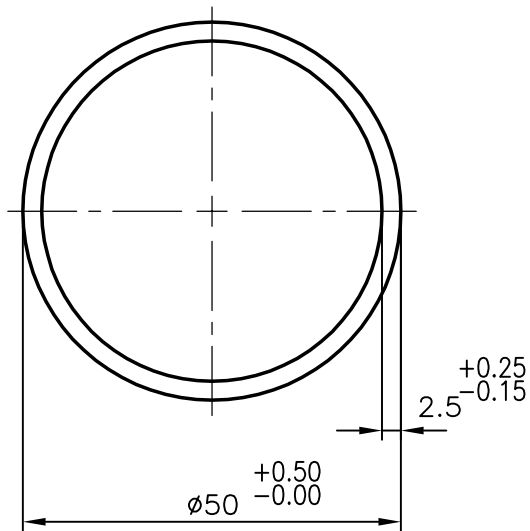


2088

13064



SYMBOL OF QUALITY  
AN ISO 9001 COMPANY

**JINDAL ALUMINIUM LTD.**  
BANGALORE-560073 (INDIA)

	NAME	DATE
DRAWN	J.P.KAUSHIK	06.10.2005
CHECKED		
APPROVED		
SCALE		1:1
AREA mm <sup>2</sup>		373.064
PERIMETER mm.		157.08
WEIGHT kg/m		1.007
DRAWING No.		SECTION No.
2088		2088
13064		13064

1. ALL DIMENSIONS ARE IN mm.
2. ROUND OFF ALL SHARP CORNERS WITH 0.40 mm.
3. TOLERANCES WILL BE AS PER IS: 2673-1979 UNLESS OTHERWISE SPECIFIED

PARTY'S NAME TAG CORPORATON

PARTY'S DRAWING No. —

ALLOY & TEMPER AS REQUIRED

DESCRIPTION ROUND TUBE