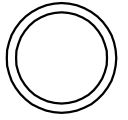


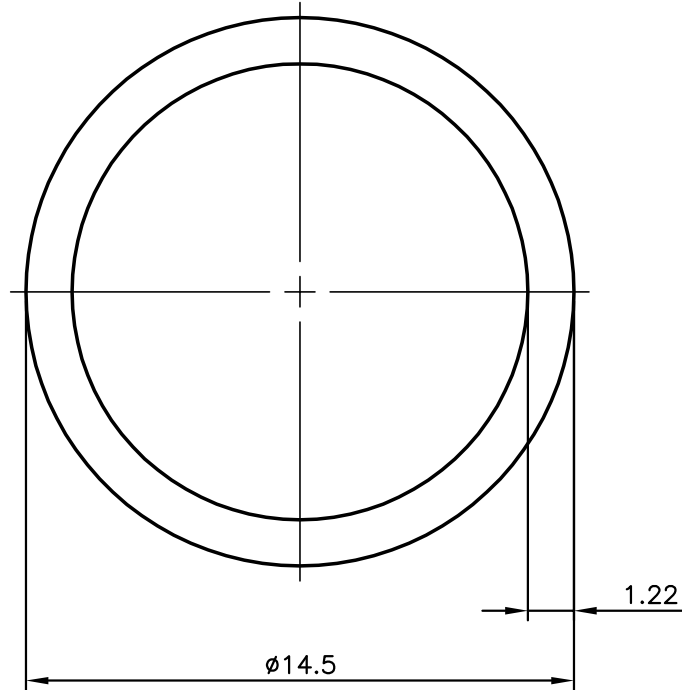
2091

13067

-



SCALE 1:1



SYMBOL OF QUALITY
AN ISO 9001 COMPANY

JINDAL ALUMINIUM LTD.
BANGALORE-560073 (INDIA)

	NAME	DATE
DRAWN	PRASANNA.H.	21-12-2006
CHECKED		
APPROVED		
SCALE		5:1
AREA mm ²		50.899
PERIMETER mm.		45.553
WEIGHT kg/m		0.137
DRAWING No.	SECTION No.	
2091	2091	
13067	13067	
-	-	

1. ALL DIMENSIONS ARE IN mm.
2. ROUND OFF ALL SHARP CORNERS WITH 0.40 mm.
3. TOLERANCES WILL BE AS PER IS:2673-2002 UNLESS OTHERWISE SPECIFIED

PARTY'S NAME	-
PARTY'S DRAWING No.	-
ALLOY & TEMPER	AS PER REQUIREMENT
DESCRIPTION	ROUND TUBE