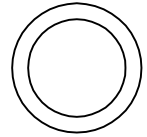
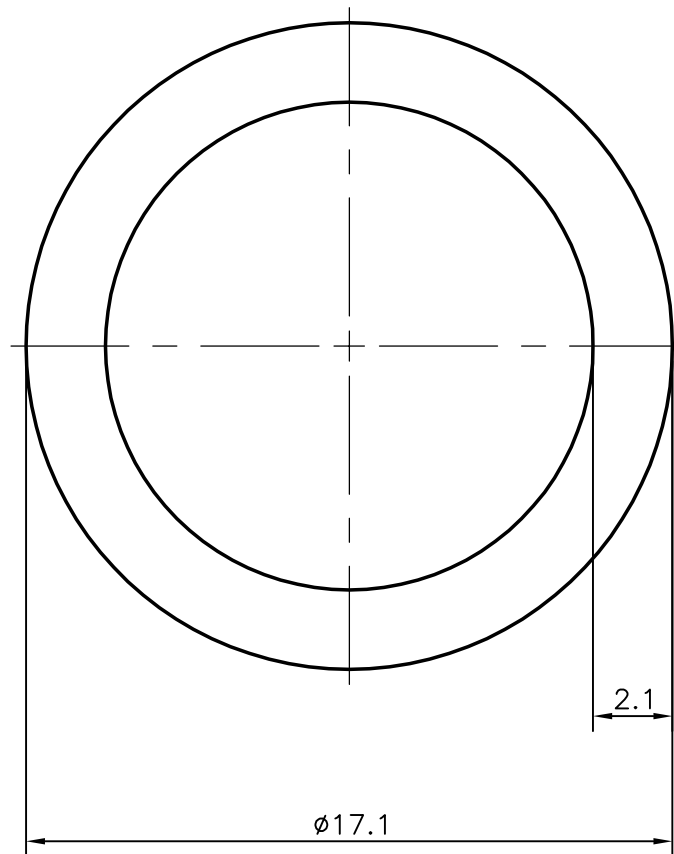


2095

13071



SCALE 1:1



SYMBOL OF QUALITY
AN ISO 9001 COMPANY

JINDAL ALUMINIUM LTD.
BANGALORE-560073 (INDIA)

	NAME	DATE
DRAWN		05-12-2006
CHECKED		
APPROVED		
SCALE		5:1
AREA mm ²		98.96
PERIMETER mm.		53.721
WEIGHT kg/m		0.267
DRAWING No.	SECTION No.	
2095	2095	
13071	13071	

1. ALL DIMENSIONS ARE IN mm.
2. ROUND OFF ALL SHARP CORNERS WITH 0.40 mm.
3. TOLERANCES WILL BE AS PER IS:2673-2002 UNLESS OTHERWISE SPECIFIED

PARTY'S NAME	GENERAL CATEGORY
PARTY'S DRAWING No.	
ALLOY & TEMPER	
DESCRIPTION	