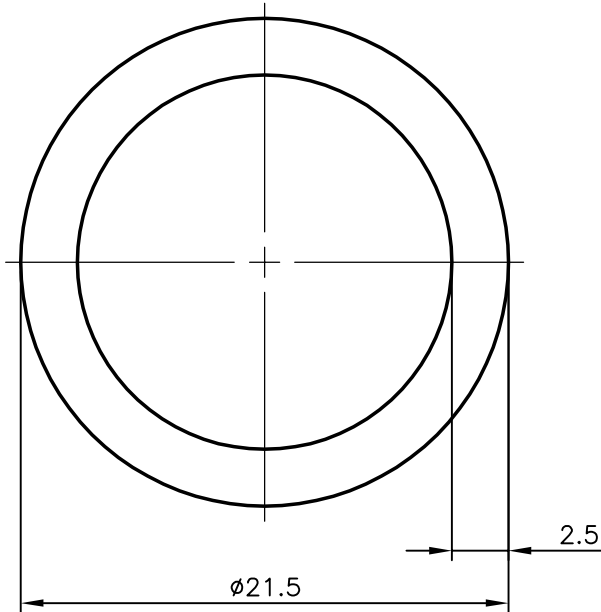
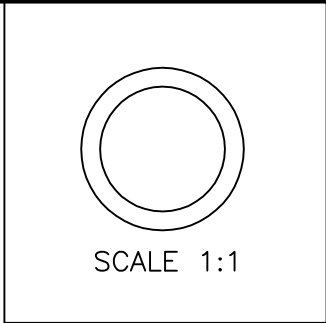


|       |
|-------|
| 2097  |
| 13073 |
| —     |



**JINDAL ALUMINIUM LTD.**  
*BANGALORE-560073 (INDIA)*

|          | NAME        | DATE       |
|----------|-------------|------------|
| DRAWN    | PRASANNA.H. | 21-12-2006 |
| CHECKED  |             |            |
| APPROVED |             |            |

1. ALL DIMENSIONS ARE IN mm.
2. ROUND OFF ALL SHARP CORNERS WITH 0.40 mm.
3. TOLERANCES WILL BE AS PER IS:2673-2002 UNLESS OTHERWISE SPECIFIED

|                      |         |
|----------------------|---------|
| SCALE                | 3:1     |
| AREA mm <sup>2</sup> | 149.226 |
| PERIMETER mm.        | 67.544  |
| WEIGHT kg/m          | 0.403   |

|                     |                    |
|---------------------|--------------------|
| PARTY'S NAME        | —                  |
| PARTY'S DRAWING No. | —                  |
| ALLOY & TEMPER      | AS PER REQUIREMENT |
| DESCRIPTION         | ROUND TUBE         |

| DRAWING No. | SECTION No. |
|-------------|-------------|
| 2097        | 2097        |
| 13073       | 13073       |
| —           | —           |
|             |             |