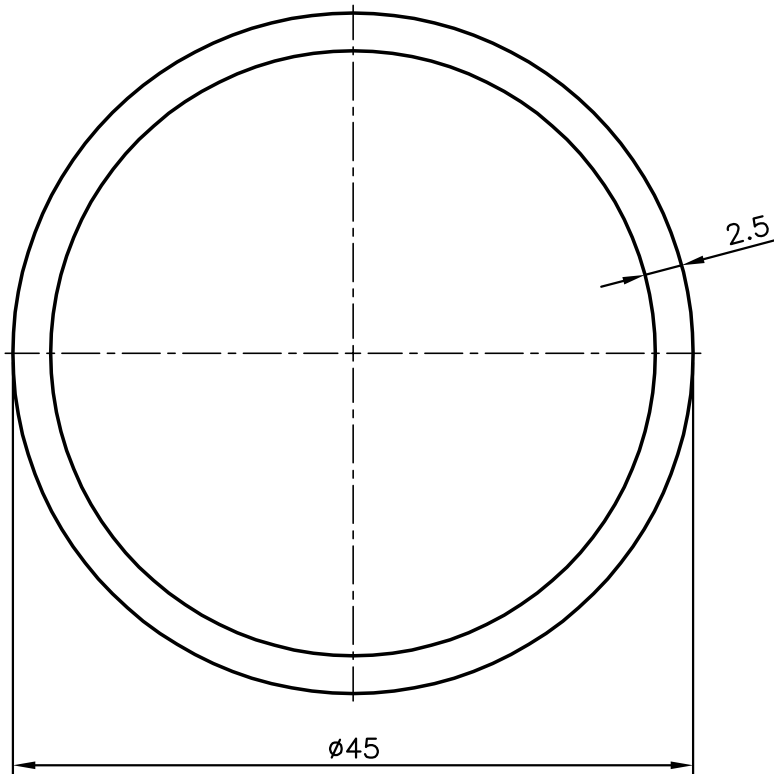
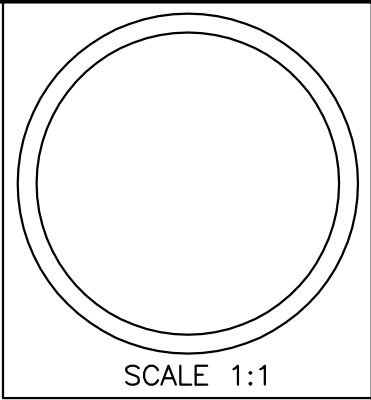



2103
13077
-



 SYMBOL OF QUALITY AN ISO 9001 COMPANY	JINDAL ALUMINIUM LTD. BANGALORE-560073 (INDIA)	NAME		DATE
		DRAWN	PRASANNA.H.	21-12-2006
1. ALL DIMENSIONS ARE IN mm. 2. ROUND OFF ALL SHARP CORNERS WITH 0.40 mm. 3. TOLERANCES WILL BE AS PER IS:2673-2002 UNLESS OTHERWISE SPECIFIED		CHECKED		
		APPROVED		
PARTY'S NAME		SCALE		2:1
		AREA mm ²		333.794
PARTY'S DRAWING No.		PERIMETER mm.		141.372
		WEIGHT kg/m		0.901
ALLOY & TEMPER		DRAWING No.	SECTION No.	
		2103	2103	
DESCRIPTION		13077	13077	
		-	-	
AS PER REQUIREMENT				
ROUND TUBE				