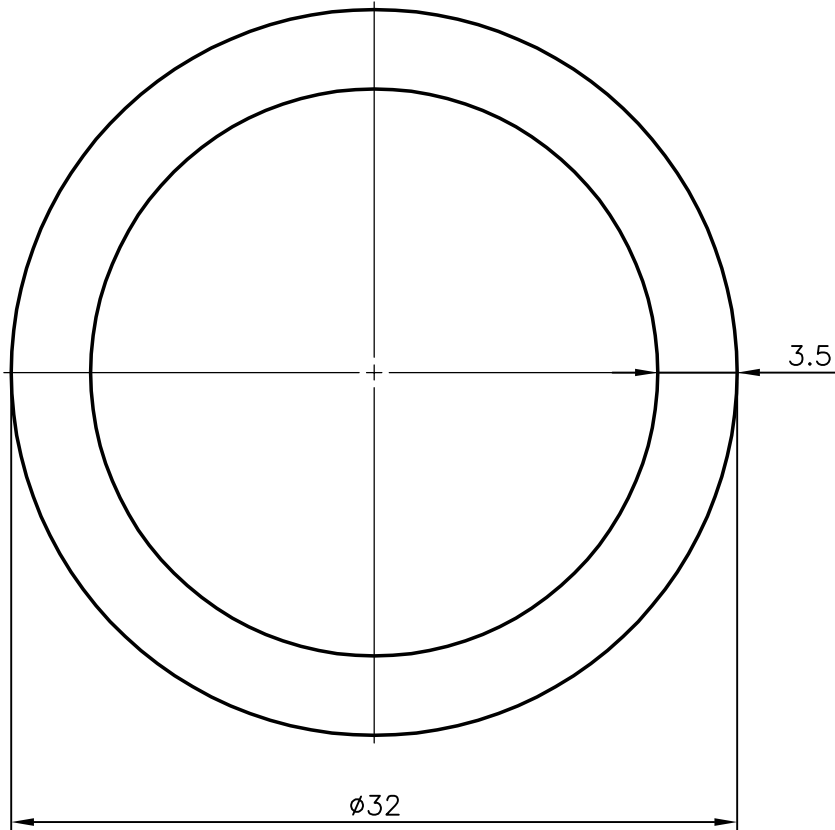
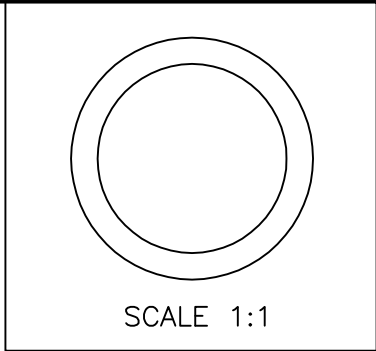


2109
13082
—



JINDAL ALUMINIUM LTD.
BANGALORE-560073 (INDIA)

	NAME	DATE
DRAWN	PRASANNA.H.	21-12-2006
CHECKED		
APPROVED		

1. ALL DIMENSIONS ARE IN mm.
2. ROUND OFF ALL SHARP CORNERS WITH 0.40 mm.
3. TOLERANCES WILL BE AS PER IS:2673-2002 UNLESS OTHERWISE SPECIFIED

SCALE	3:1
AREA mm ²	313.374
PERIMETER mm.	100.531
WEIGHT kg/m	0.846

PARTY'S NAME	—
PARTY'S DRAWING No.	—
ALLOY & TEMPER	AS PER REQUIREMENT
DESCRIPTION	ROUND TUBE

DRAWING No.	SECTION No.
2109	2109
13082	13082
—	—