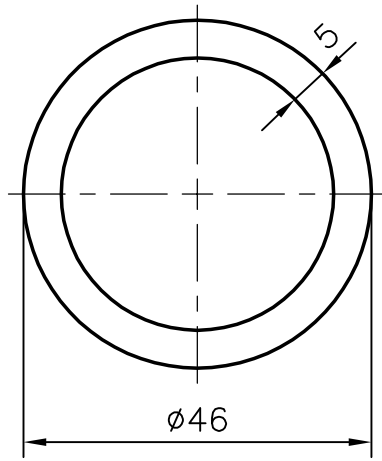


2111
13084



JINDAL ALUMINIUM LTD. BANGALORE-560073			NAME	DATE
		DRAWN	R.D.Sharma	22-8-95
1. ALL DIMENSIONS ARE IN mm. 2. ROUND OFF ALL SHARP CORNERS WITH 0.4 mm. 3. TOLERANCES WILL BE AS PER IS 2673-1979 UNLESS OTHERWISE SPECIFIED		CHECKED		
		APPROVED		
		SCALE	1:1	
PARTY'S NAME	-	WEIGHT kg/m	1.738	
PARTY'S DRAWING No.	-	SECTION No.	13084	
ALLOY & TEMPER	HE9 WP	DRAWING No.	13084	
LENGTH	3658 mm.			
DESCRIPTION	ROUND TUBE			