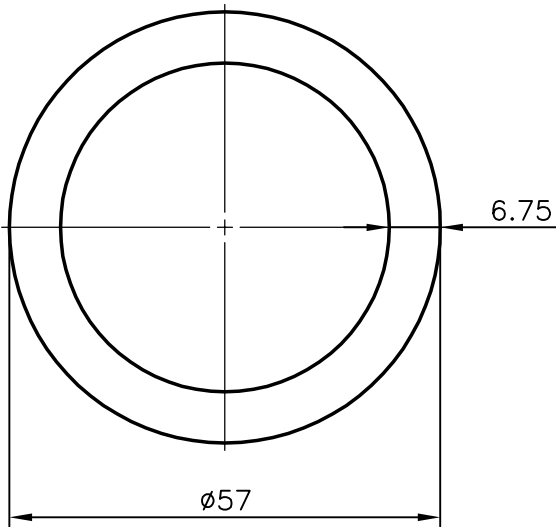



2112
13085
-



 SYMBOL OF QUALITY AN ISO 9001 COMPANY	<b>JINDAL ALUMINIUM LTD.</b> <i>BANGALORE-560073 (INDIA)</i>		NAME	DATE
		DRAWN	PRASANNA.H.	21-12-2006
1. ALL DIMENSIONS ARE IN mm. 2. ROUND OFF ALL SHARP CORNERS WITH 0.40 mm. 3. TOLERANCES WILL BE AS PER IS:2673-2002 UNLESS OTHERWISE SPECIFIED		CHECKED		
		APPROVED		
PARTY'S NAME -		SCALE		1:1
		AREA mm <sup>2</sup>		1065.589
PARTY'S DRAWING No. -		PERIMETER mm.		179.071
		WEIGHT kg/m		2.877
ALLOY & TEMPER AS PER REQUIREMENT		DRAWING No.	SECTION No.	
		2112	2112	
DESCRIPTION ROUND TUBE		13085	13085	
		-	-	