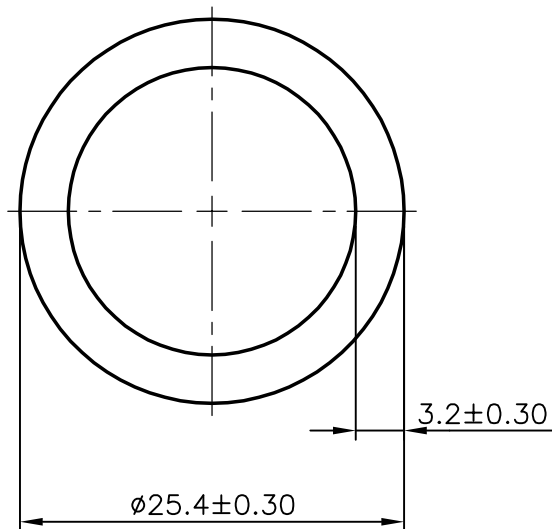
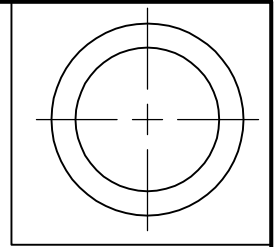


2118

13090



SYMBOL OF QUALITY
AN ISO 9001 COMPANY

JINDAL ALUMINIUM LTD.
BANGALORE-560073 (INDIA)

	NAME	DATE
DRAWN	J.P.KAUSHIK	06.10.2005
CHECKED		
APPROVED		

1. ALL DIMENSIONS ARE IN mm.
2. ROUND OFF ALL SHARP CORNERS WITH 0.40 mm.
3. TOLERANCES WILL BE AS PER IS: 2673-1979 UNLESS OTHERWISE SPECIFIED

SCALE	2:1
AREA mm ²	223.179
PERIMETER mm.	79.796
WEIGHT kg/m	0.603

PARTY'S NAME	DEPART MENT OF ATOMIC ENERGY., BOMBAY
PARTY'S DRAWING No.	—
ALLOY & TEMPER	E1B 'H'
DESCRIPTION	ROUND TUBE

DRAWING No.	SECTION No.
2118	2118
13090	13090