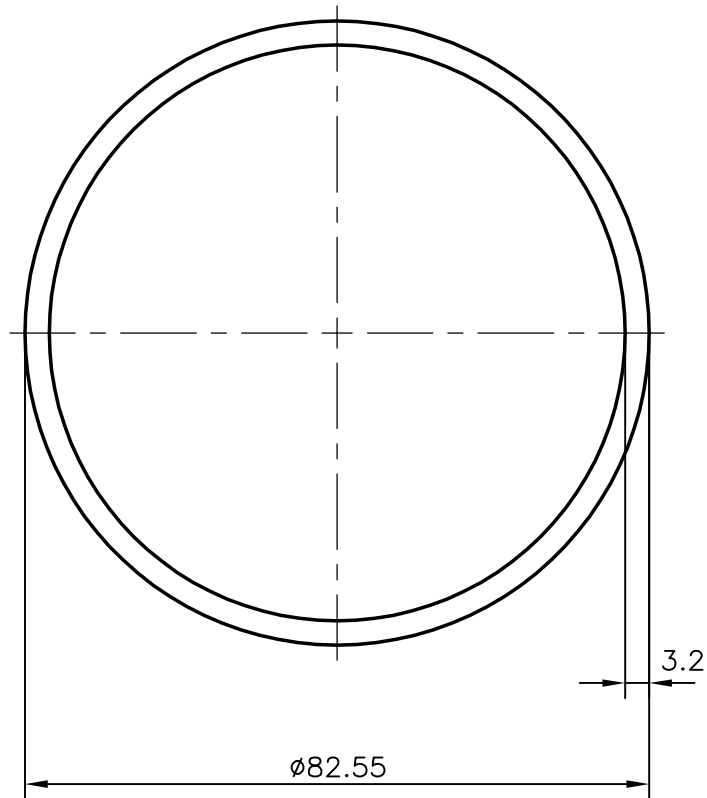


2120

13092



***JINDAL ALUMINIUM LTD.***  
*BANGALORE-560073*

NAME

DATE

DRAWN

R.D.Sharma

22-8-95

CHECKED

APPROVED

1. ALL DIMENSIONS ARE IN mm.
2. ROUND OFF ALL SHARP CORNERS WITH 0.4 mm.
3. TOLERANCES WILL BE AS PER IS :2673-1979  
UNLESS OTHERWISE SPECIFIED

PARTY'S NAME

-

SCALE

1:1

PARTY'S DRAWING No.

-

WEIGHT kg/m

2.154

ALLOY &amp; TEMPER

HE9 WP

SECTION No.

13092

LENGTH

3658 mm.

DRAWING No.

DESCRIPTION

ROUND TUBE

13092