

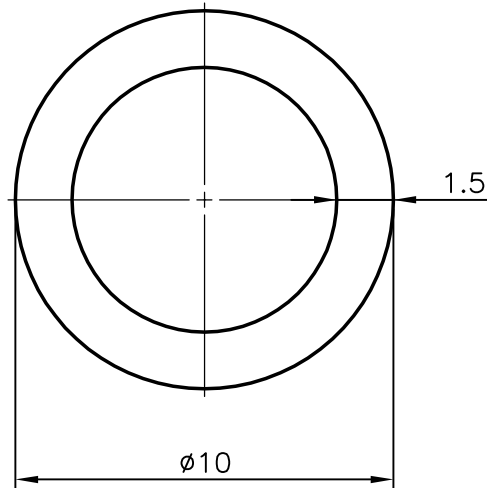
2123

13093

-



SCALE 1:1



SYMBOL OF QUALITY  
AN ISO 9001 COMPANY

**JINDAL ALUMINIUM LTD.**  
**BANGALORE-560073 (INDIA)**

	NAME	DATE
DRAWN	PRASANNA.H.	21-12-2006
CHECKED		
APPROVED		

1. ALL DIMENSIONS ARE IN mm.
2. ROUND OFF ALL SHARP CORNERS WITH 0.40 mm.
3. TOLERANCES WILL BE AS PER IS:2673-2002 UNLESS OTHERWISE SPECIFIED

SCALE	5:1
AREA mm <sup>2</sup>	40.055
PERIMETER mm.	31.416
WEIGHT kg/m	0.108

PARTY'S NAME	-	DRAWING No.	2123	SECTION No.	2123
PARTY'S DRAWING No.	-		13093		13093
ALLOY & TEMPER	AS PER REQUIREMENT		-		-
DESCRIPTION	ROUND TUBE				