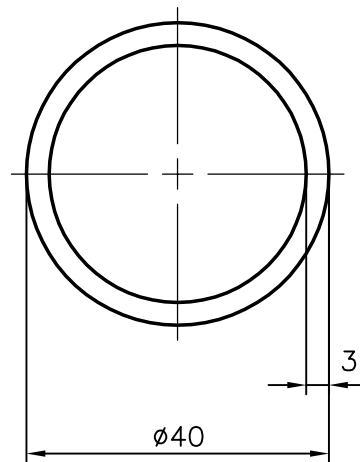


2131

13098



SYMBOL OF QUALITY
AN ISO 9001 COMPANY

JINDAL ALUMINIUM LTD.
BANGALORE-560073 (INDIA)

	NAME	DATE
DRAWN	J.P.KAUSHIK	28-09-2005
CHECKED		
APPROVED		

1. ALL DIMENSIONS ARE IN mm.
2. ROUND OFF ALL SHARP CORNERS WITH 0.40 mm.
3. TOLERANCES WILL BE AS PER IS:2673-2002 UNLESS OTHERWISE SPECIFIED

SCALE	1:1
AREA mm ²	348.717
PERIMETER mm.	125.664
WEIGHT kg/m	0.941

PARTY'S NAME

-

PARTY'S DRAWING No.

-

ALLOY & TEMPER

HE9 WP

DESCRIPTION

ROUND TUBE

DRAWING No.	SECTION No.
2131	2131
13098	13098