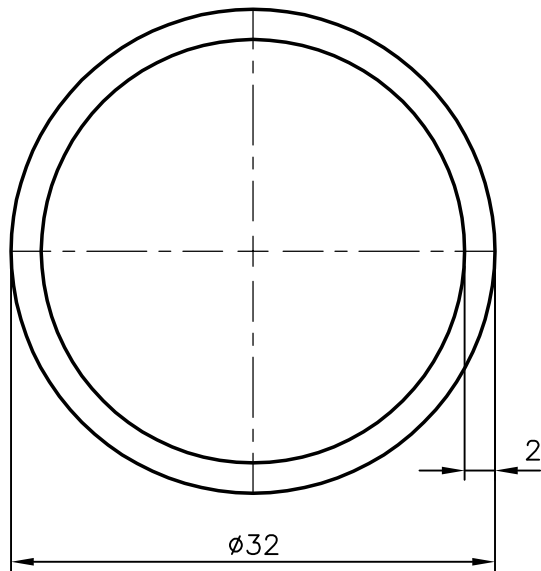



2135
13100



 SYMBOL OF QUALITY AN ISO 9001 COMPANY	JINDAL ALUMINIUM LTD. <i>BANGALORE-560073 (INDIA)</i>		NAME	DATE
		DRAWN	J.P.KAUSHIK	06.10.2005
		CHECKED		
1. ALL DIMENSIONS ARE IN mm. 2. ROUND OFF ALL SHARP CORNERS WITH 0.40 mm. 3. TOLERANCES WILL BE AS PER IS: 2673-1979 UNLESS OTHERWISE SPECIFIED		APPROVED		
		SCALE		2:1
		AREA mm ²	188.496	
PARTY'S NAME B.H.E.L., HARIDWAR		PERIMETER mm.	100.531	
		WEIGHT kg/m	0.509	
PARTY'S DRAWING No. -		DRAWING No.	SECTION No.	
		2135	2135	
ALLOY & TEMPER HE9 WP		13100	13100	
DESCRIPTION ROUND TUBE				