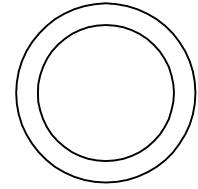
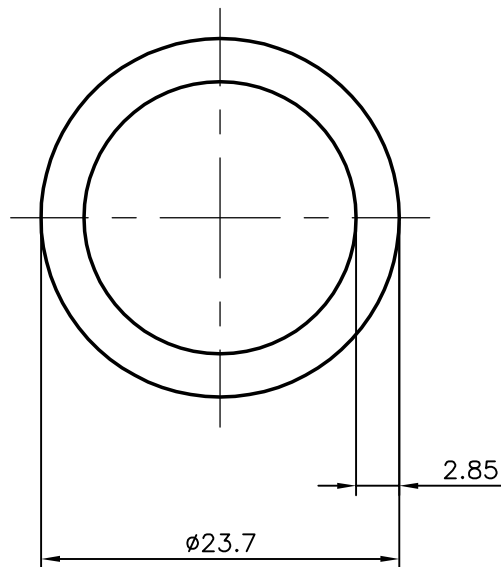


2146

13108



SCALE 1:1



SYMBOL OF QUALITY  
AN ISO 9001 COMPANY

**JINDAL ALUMINIUM LTD.**  
**BANGALORE-560073 (INDIA)**

	NAME	DATE
DRAWN	PRASHANT	05-12-2006
CHECKED		
APPROVED		
SCALE		2:1
AREA mm <sup>2</sup>		186.681
PERIMETER mm.		74.456
WEIGHT kg/m		0.504
DRAWING No.	SECTION No.	
2146	2146	
13108	13108	

1. ALL DIMENSIONS ARE IN mm.
2. ROUND OFF ALL SHARP CORNERS WITH 0.40 mm.
3. TOLERANCES WILL BE AS PER IS:2673-2002 UNLESS OTHERWISE SPECIFIED

PARTY'S NAME	GENERAL CATEGORY
PARTY'S DRAWING No.	-
ALLOY & TEMPER	HE9 WP
DESCRIPTION	ROUND TUBE