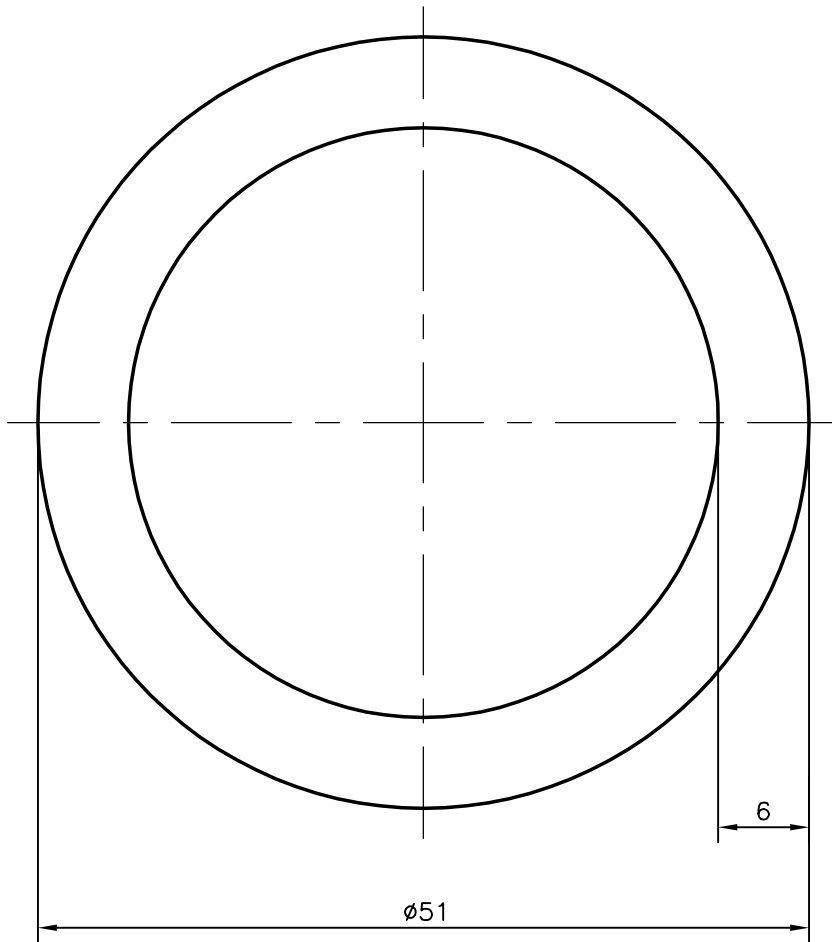
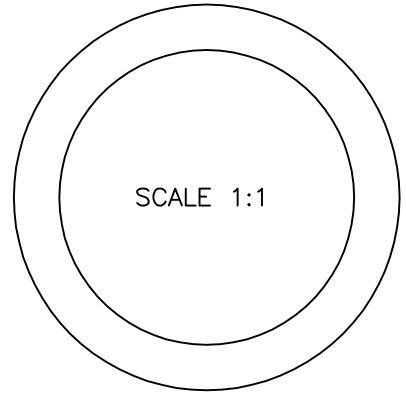


2151

13112



SYMBOL OF QUALITY  
AN ISO 9001 COMPANY

**JINDAL ALUMINIUM LTD.**  
**BANGALORE-560073 (INDIA)**

	NAME	DATE
DRAWN		04-08-2007
CHECKED		
APPROVED		
SCALE		2:1
AREA mm <sup>2</sup>		848.23
PERIMETER mm.		160.221
WEIGHT kg/m		2.290
DRAWING No.	SECTION No.	
2151	2151	
13112	13112	

1. ALL DIMENSIONS ARE IN mm.
2. ROUND OFF ALL SHARP CORNERS WITH 0.40 mm.
3. TOLERANCES WILL BE AS PER IS:2673-2002 UNLESS OTHERWISE SPECIFIED

PARTY'S NAME	-
PARTY'S DRAWING No.	
ALLOY & TEMPER	
DESCRIPTION	