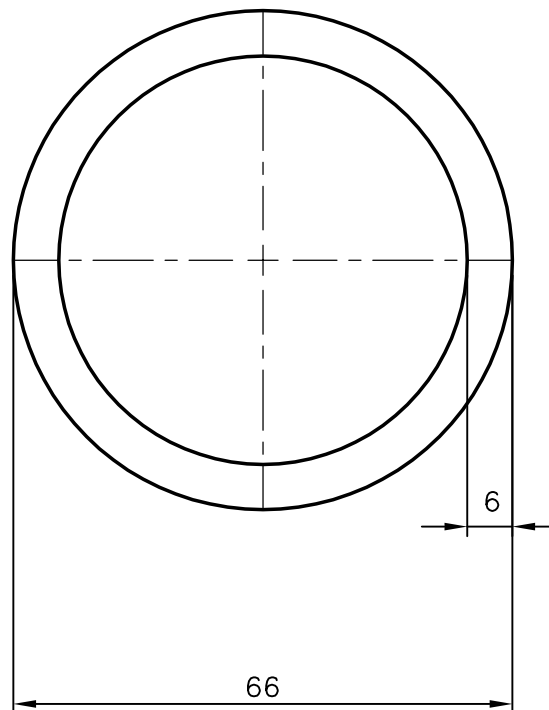


2163

13119



SYMBOL OF QUALITY  
AN ISO 9001 COMPANY

**JINDAL ALUMINIUM LTD.**  
*BANGALORE-560073 (INDIA)*

	NAME	DATE
DRAWN	J.P.KAUSHIK	06.10.2005
CHECKED		
APPROVED		

1. ALL DIMENSIONS ARE IN mm.
2. ROUND OFF ALL SHARP CORNERS WITH 0.40 mm.
3. TOLERANCES WILL BE AS PER IS: 2673-1979 UNLESS OTHERWISE SPECIFIED

SCALE	1:1
AREA mm <sup>2</sup>	1130.973
PERIMETER mm.	207.345
WEIGHT kg/m	3.053

PARTY'S NAME W.S.INDUSTRIES (INDIA) LTD.

DRAWING No. SECTION No.

PARTY'S DRAWING No. —

2163 2163

ALLOY & TEMPER HE9 WP

13119 13119

DESCRIPTION ROUND TUBE