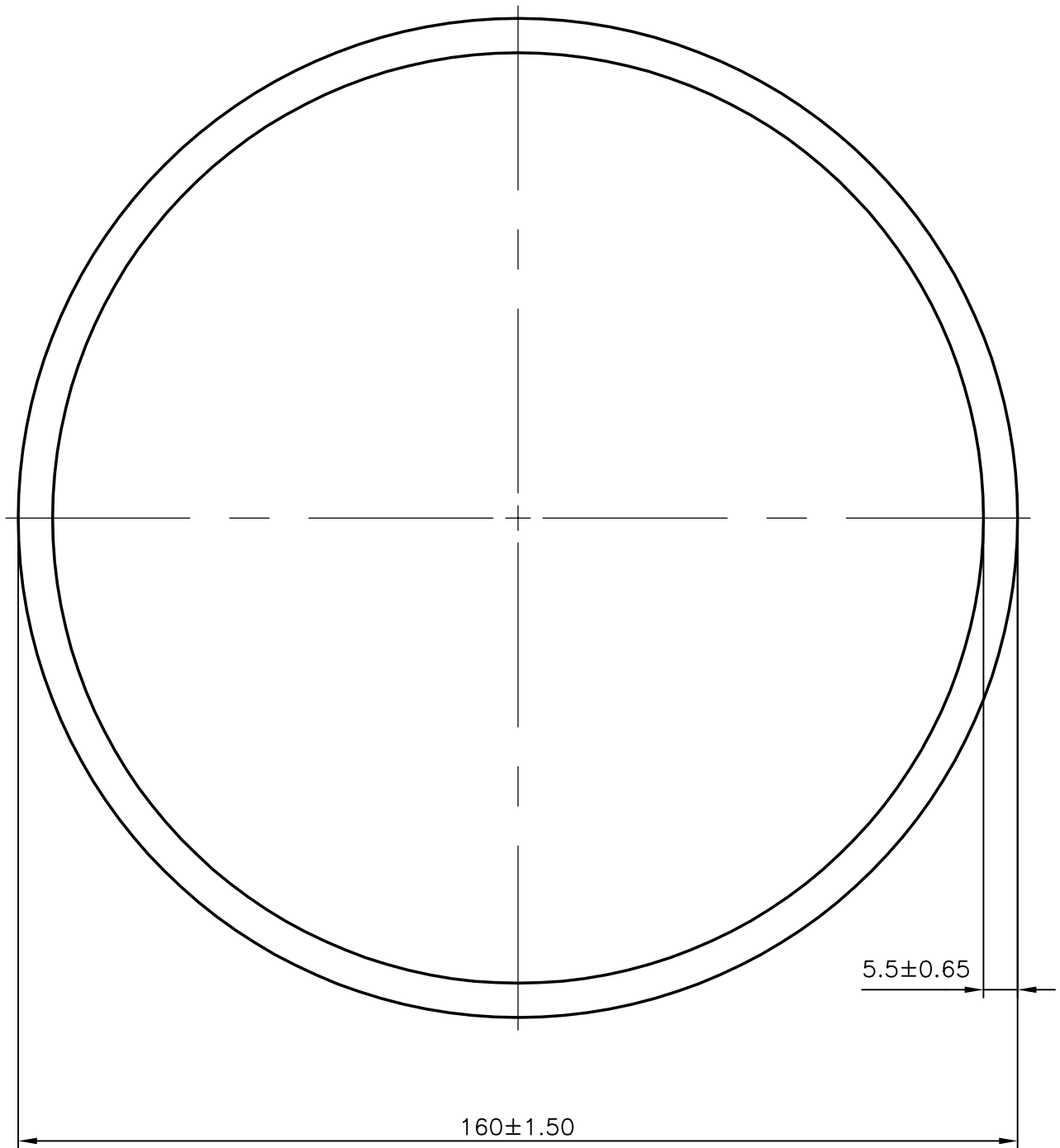


2167

13123



SYMBOL OF QUALITY  
AN ISO 9001 COMPANY

**JINDAL ALUMINIUM LTD.**  
*BANGALORE-560073 (INDIA)*

	NAME	DATE
DRAWN	J.P.KAUSHIK	06.10.2005
CHECKED		
APPROVED		
SCALE		1:1
AREA mm <sup>2</sup>		2669.568
PERIMETER mm.		502.655
WEIGHT kg/m		7.208
DRAWING No.	SECTION No.	
2167	2167	
13123	13123	

1. ALL DIMENSIONS ARE IN mm.
2. ROUND OFF ALL SHARP CORNERS WITH 0.40 mm.
3. TOLERANCES WILL BE AS PER IS: 2673-1979 UNLESS OTHERWISE SPECIFIED

PARTY'S NAME FOOD CORPORATION OF INDIA

PARTY'S DRAWING No. -

ALLOY & TEMPER HE9 WP

DESCRIPTION ROUND TUBE