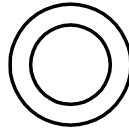
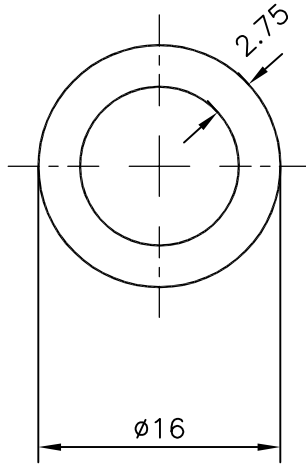


2168
13124



1:1



JINDAL ALUMINIUM LTD.
BANGALORE-560073

	NAME	DATE
DRAWN	R.D.Sharma	7-7-95

1. ALL DIMENSIONS ARE IN mm.
2. ROUND OFF ALL SHARP CORNERS WITH 0.4 mm.
3. TOLERANCES WILL BE AS PER IS : 2673-1979 UNLESS OTHERWISE SPECIFIED

CHECKED		
APPROVED		

PARTY'S NAME	PRECISION ENGG.,BANGALORE	SCALE	2:1
PARTY'S DRAWING No.	-	WEIGHT kg/m	0.309
ALLOY & TEMPER	HE9 WP	SECTION No.	13124
LENGTH	3658 mm.	DRAWING No. 13124	
DESCRIPTION	ROUND TUBE		