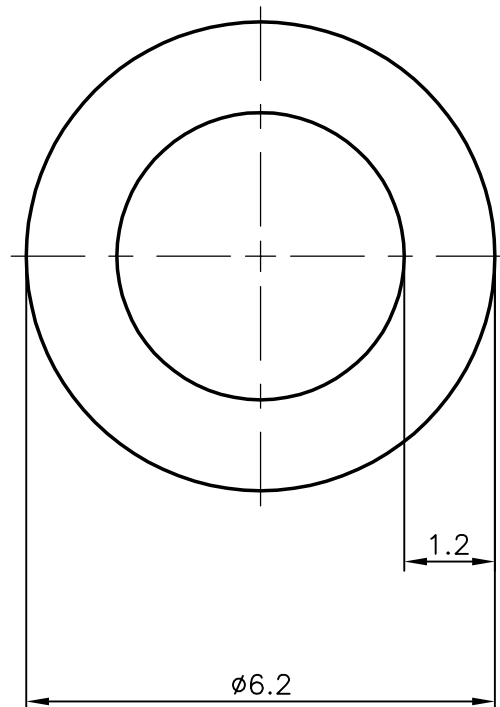


2170

13125


  
1:1


SYMBOL OF QUALITY  
AN ISO 9001 COMPANY

**JINDAL ALUMINIUM LTD.**  
*BANGALORE-560073 (INDIA)*

	NAME	DATE
DRAWN	J.P.KAUSHIK	07-10-2005
CHECKED		
APPROVED		

1. ALL DIMENSIONS ARE IN mm.
2. ROUND OFF ALL SHARP CORNERS WITH 0.40 mm.
3. TOLERANCES WILL BE AS PER IS: 2673-2002 UNLESS OTHERWISE SPECIFIED

SCALE	10:1
AREA mm <sup>2</sup>	18.85
PERIMETER mm.	19.478
WEIGHT kg/m	0.050

PARTY'S NAME

-

DRAWING No.

SECTION No.

PARTY'S DRAWING No.

-

2170

2170

ALLOY &amp; TEMPER

HE9 WP

13125

13125

DESCRIPTION

ROUND TUBE