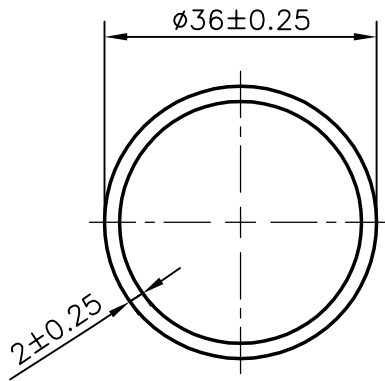


2181
13135
-



JINDAL ALUMINIUM LTD. BANGALORE-560073			NAME	DATE
		DRAWN	R.D.Sharma	07-02-96
1. ALL DIMENSIONS ARE IN mm. 2. ROUND OFF ALL SHARP CORNERS WITH 0.4 mm. 3. TOLERANCES WILL BE AS PER IS: 2673-1979 ,UNLESS OTHERWISE SPECIFIED		CHECKED		
		APPROVED		
		SCALE	1:1	
PARTY'S NAME	H.A.L.,HYDERABAD	WEIGHT kg/m	0.576	
PARTY'S DRAWING No.	-	SECTION No.	13135	
ALLOY & TEMPER	HE9 WP	DRAWING No.	13135	
LENGTH	3658 mm.			
DESCRIPTION	ROUND TUBE			