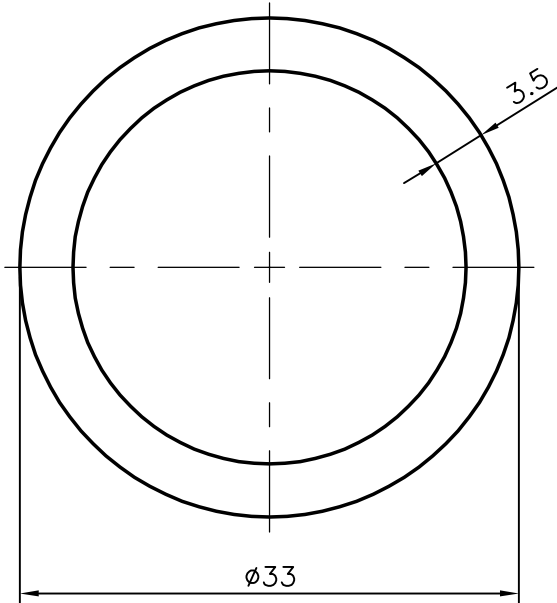
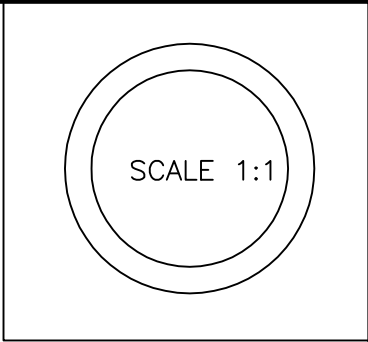


2183
13137
—



JINDAL ALUMINIUM LTD.
BANGALORE-560073 (INDIA)

	NAME	DATE
DRAWN	PRASANN.H	27-12-2006
CHECKED		
APPROVED		

1. ALL DIMENSIONS ARE IN mm.
2. ROUND OFF ALL SHARP CORNERS WITH 0.4 mm.
3. TOLERANCES WILL BE AS PERIS:2673-2002 UNLESS OTHERWISE SPECIFIED

SCALE	2:1
AREA mm ²	324.369
PERIMETER mm.	103.673
WEIGHT kg/m	0.875

PARTY'S NAME	—
PARTY'S DRAWING No.	—
ALLOY & TEMPER	AS PER REQUIREMENT
DESCRIPTION	ROUND TUBE

DRAWING No.	SECTION No.
2183	2183
13137	13137
—	—