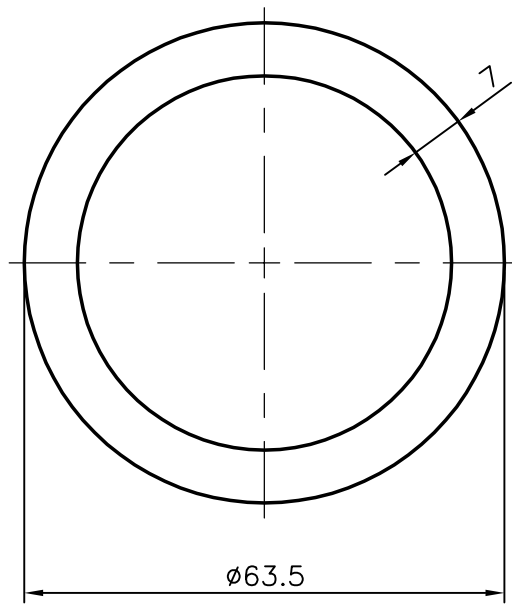



2185
13139
—



 SYMBOL OF QUALITY AN ISO 9001 COMPANY	JINDAL ALUMINIUM LTD. BANGALORE-560073 (INDIA)	NAME		DATE
		DRAWN	PRASANN.H	27-12-2006
1. ALL DIMENSIONS ARE IN mm. 2. ROUND OFF ALL SHARP CORNERS WITH 0.4 mm. 3. TOLERANCES WILL BE AS PER IS:2673-2002 UNLESS OTHERWISE SPECIFIED		CHECKED		
		APPROVED		
PARTY'S NAME		SCALE		1:1
		AREA mm ²		1242.5
PARTY'S DRAWING No.		PERIMETER mm.		199.491
		WEIGHT kg/m		3.354
ALLOY & TEMPER		DRAWING No.	SECTION No.	
		2185	2185	
DESCRIPTION		13139	13139	
		—	—	
AS PER REQUIREMENT				
ROUND TUBE				