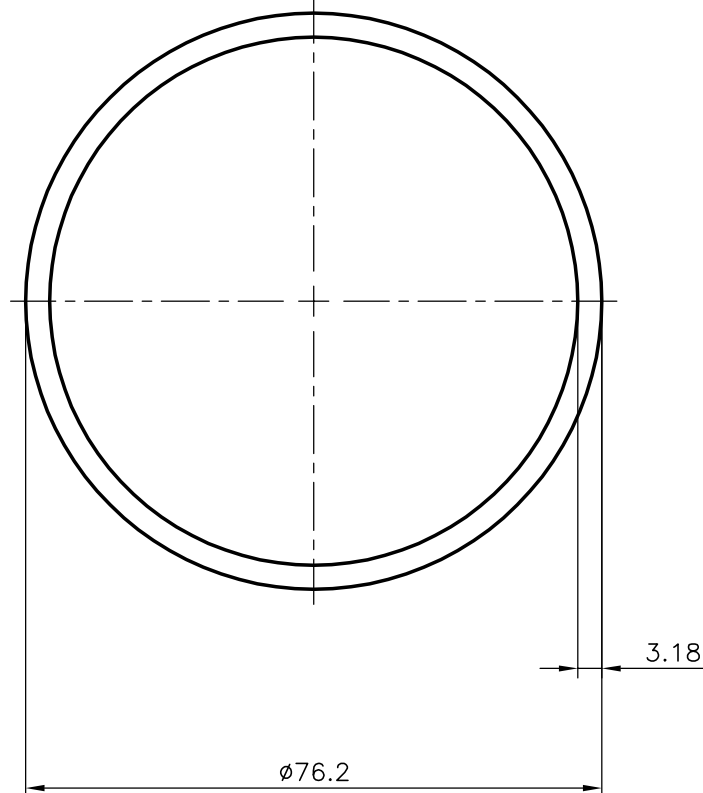



2191

13141



 SYMBOL OF QUALITY AN ISO 9001 COMPANY	JINDAL ALUMINIUM LTD. BANGALORE-560073 (INDIA)		NAME	DATE
		DRAWN	RAGHAVENDRA	26-10-2006
1. ALL DIMENSIONS ARE IN mm. 2. ROUND OFF ALL SHARP CORNERS WITH 0.40 mm. 3. TOLERANCES WILL BE AS PER IS:2673-2002 UNLESS OTHERWISE SPECIFIED		CHECKED		
		APPROVED		
PARTY'S NAME —		SCALE		1:1
		AREA mm ²		729.489
PARTY'S DRAWING No. —		PERIMETER mm.		239.389
		WEIGHT kg/m		1.970
ALLOY & TEMPER HE9 WP		DRAWING No.	SECTION No.	
		2191	2191	
DESCRIPTION ROUND TUBE		13141	13141	