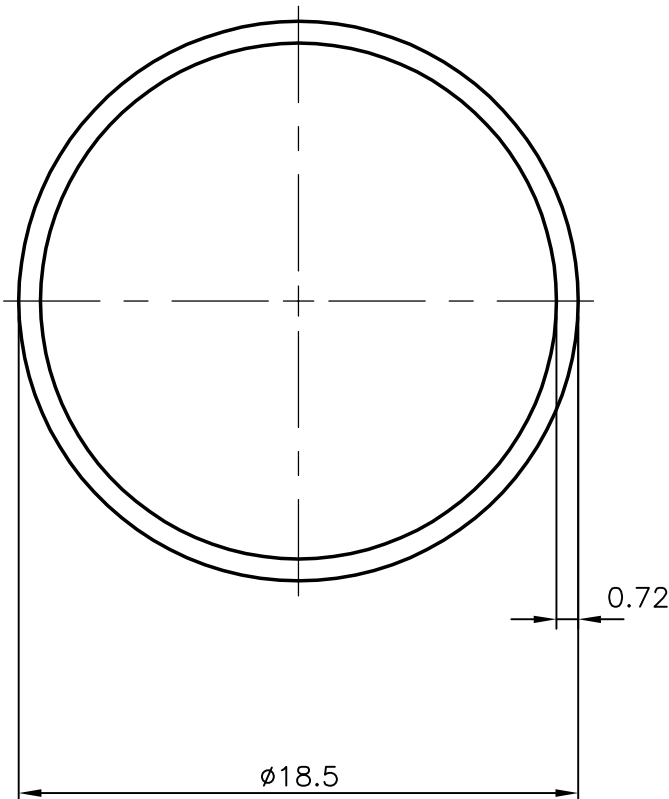
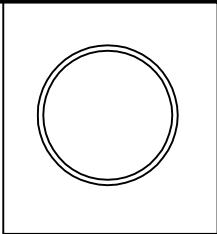


2200
13146



JINDAL ALUMINIUM LTD.
BANGALORE-560073 (INDIA)

	NAME	DATE
DRAWN	J.P.KAUSHIK	04-12-2006
CHECKED		
APPROVED		

1. ALL DIMENSIONS ARE IN mm.
2. ROUND OFF ALL SHARP CORNERS WITH 0.40 mm.
3. TOLERANCES WILL BE AS PER IS:2673-1979 UNLESS OTHERWISE SPECIFIED

SCALE	4:1
AREA mm ²	40.217
PERIMETER mm.	58.119
WEIGHT kg/m	0.108

PARTY'S NAME	—
PARTY'S DRAWING No.	—
ALLOY & TEMPER	HE9 WP
DESCRIPTION	ROUND TUBE

DRAWING No.	SECTION No.
2200	2200
13146	13146