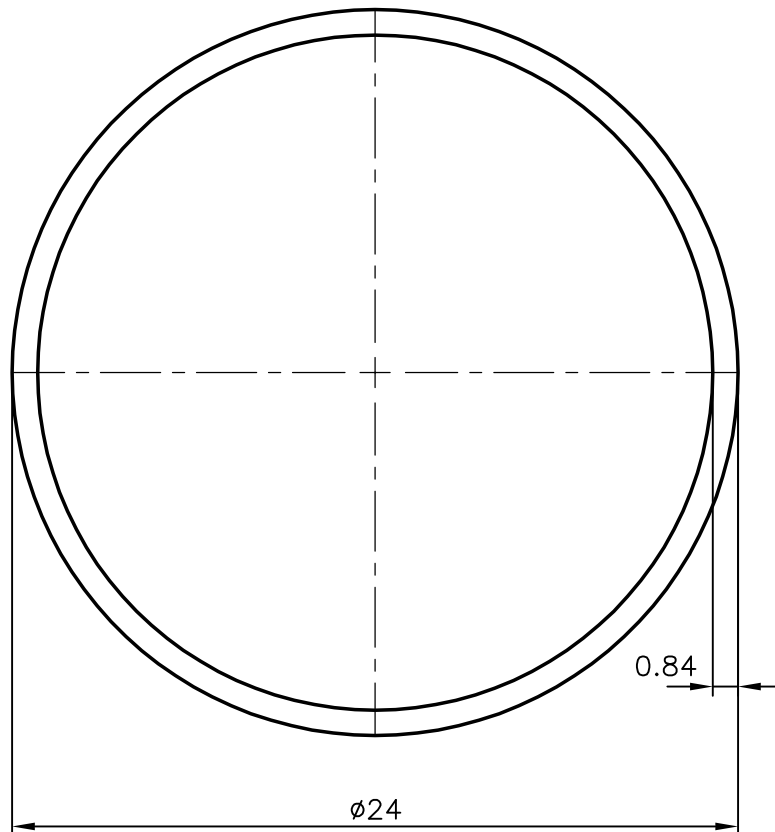


2201

13147

1:1



SYMBOL OF QUALITY  
AN ISO 9001 COMPANY

**JINDAL ALUMINIUM LTD.**  
BANGALORE-560073 (INDIA)

	NAME	DATE
DRAWN	J.P.KAUSHIK	07-10-2005
CHECKED		
APPROVED		

1. ALL DIMENSIONS ARE IN mm.
2. ROUND OFF ALL SHARP CORNERS WITH 0.40 mm.
3. TOLERANCES WILL BE AS PER IS: 2673-2002 UNLESS OTHERWISE SPECIFIED

SCALE	4:1
AREA mm <sup>2</sup>	61.118
PERIMETER mm.	75.398
WEIGHT kg/m	0.165

PARTY'S NAME	—	DRAWING No.	SECTION No.
PARTY'S DRAWING No.	—	2201	2201
ALLOY & TEMPER	HE9 WP	13147	13147
DESCRIPTION	ROUND TUBE		