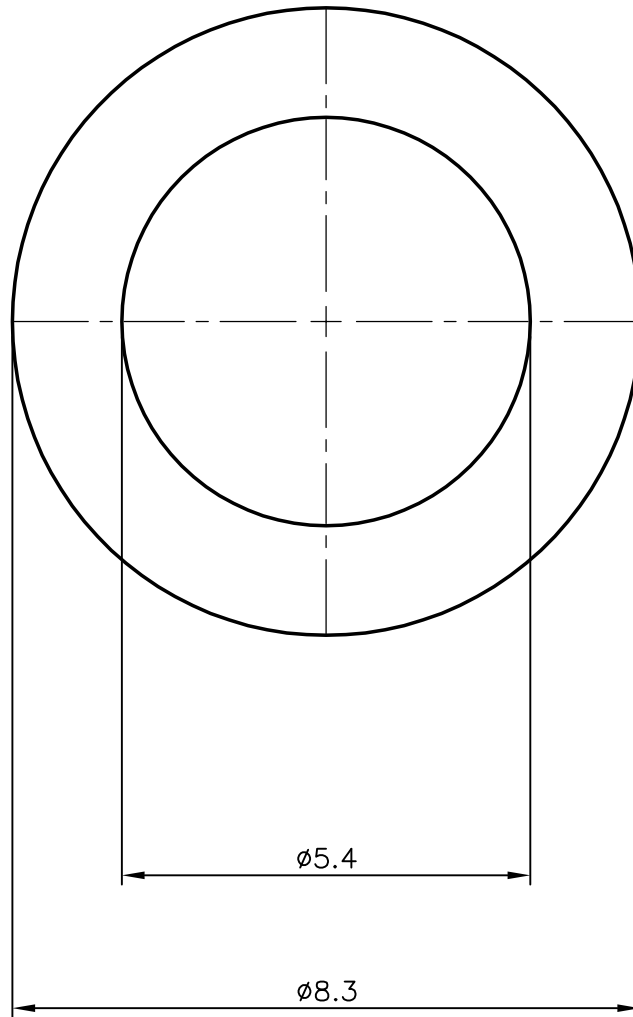


2203

13149



1:1



SYMBOL OF QUALITY  
AN ISO 9001 COMPANY

**JINDAL ALUMINIUM LTD.**  
BANGALORE-560073 (INDIA)

	NAME	DATE
DRAWN	J.P.KAUSHIK	07-10-2005
CHECKED		
APPROVED		
SCALE		10:1
AREA mm <sup>2</sup>		31.204
PERIMETER mm.		26.075
WEIGHT kg/m		0.084
DRAWING No.	SECTION No.	
2203	2203	
13149	13149	

1. ALL DIMENSIONS ARE IN mm.
2. ROUND OFF ALL SHARP CORNERS WITH 0.40 mm.
3. TOLERANCES WILL BE AS PER IS: 2673-2002 UNLESS OTHERWISE SPECIFIED

PARTY'S NAME	DOWELLS.,BOMBAY
PARTY'S DRAWING No.	-
ALLOY & TEMPER	EIE 'M'
DESCRIPTION	ROUND TUBE