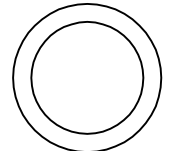
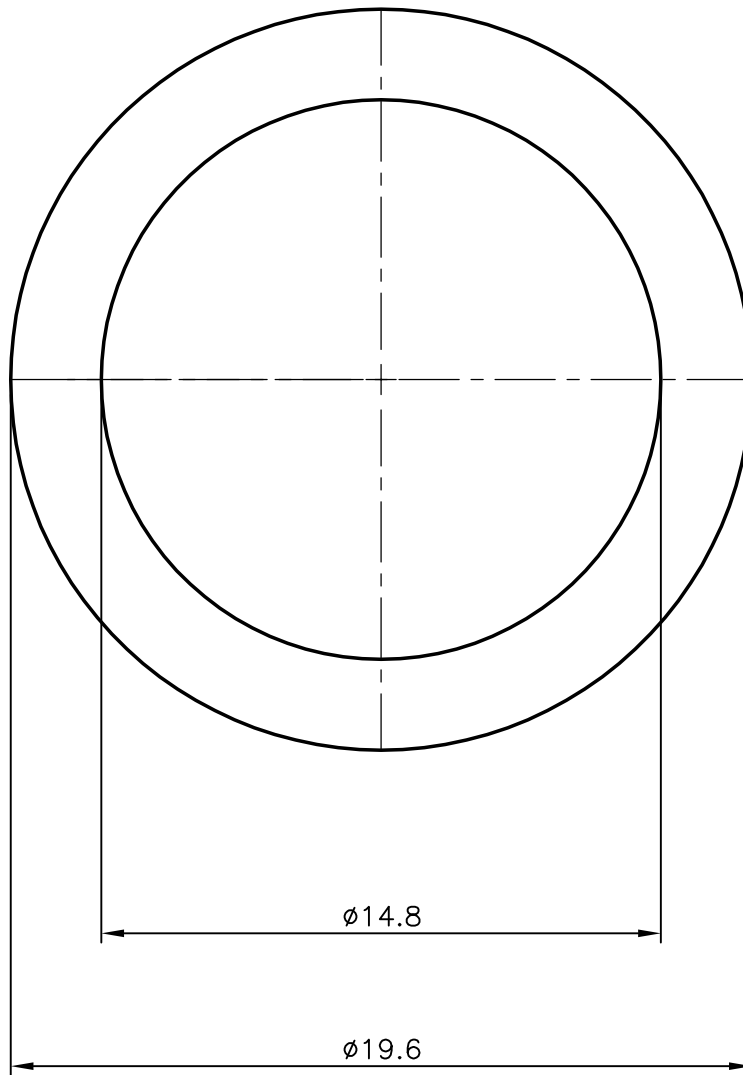


2204

13150



1:1



DIMRNSIONS TO BE MAINTAINED VERY CLOSE



SYMBOL OF QUALITY
AN ISO 9001 COMPANY

JINDAL ALUMINIUM LTD.
BANGALORE-560073 (INDIA)

	NAME	DATE
DRAWN	J.P.KAUSHIK	07-10-2005
CHECKED		
APPROVED		

1. ALL DIMENSIONS ARE IN mm.
2. ROUND OFF ALL SHARP CORNERS WITH 0.40 mm.
3. TOLERANCES WILL BE AS PER IS: 2673-2002 UNLESS OTHERWISE SPECIFIED

SCALE	5:1
AREA mm ²	129.685
PERIMETER mm.	61.575
WEIGHT kg/m	0.350

PARTY'S NAME	-	DRAWING No.	2204	SECTION No.	2204
PARTY'S DRAWING No.	-		13150		13150
ALLOY & TEMPER	EIE 'M'				
DESCRIPTION	ROUND TUBE				