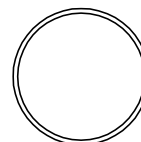
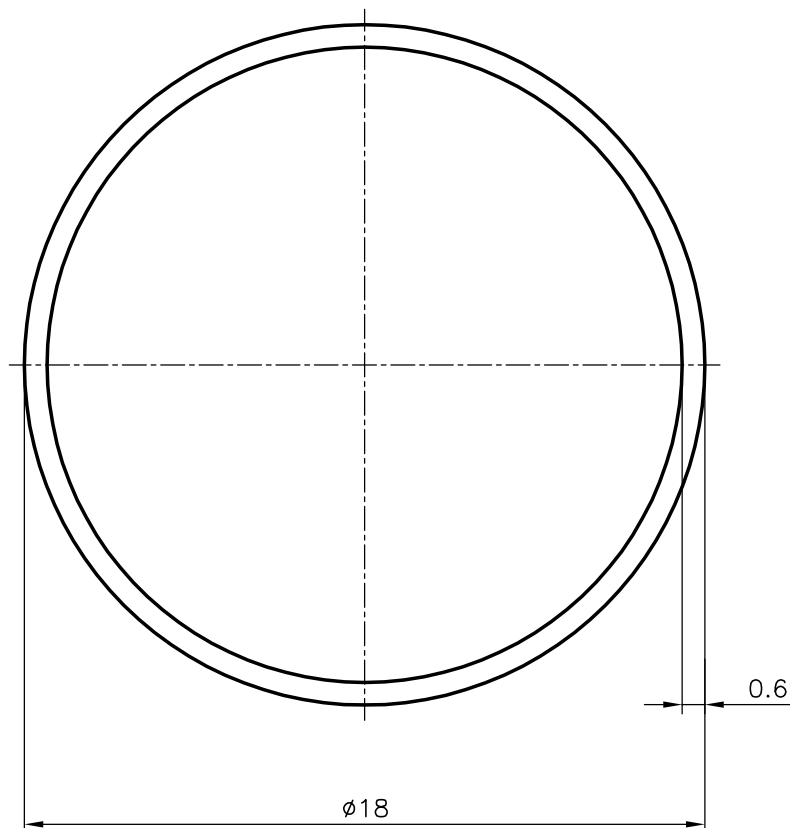


2212

13157



SCALE 1:1



SYMBOL OF QUALITY
AN ISO 9001 COMPANY

JINDAL ALUMINIUM LTD.
BANGALORE-560073 (INDIA)

	NAME	DATE
DRAWN	RAGHAVENDRA	03-05-2005

CHECKED		
---------	--	--

APPROVED		
----------	--	--

SCALE	5:1
-------	-----

AREA mm ²	32.798
----------------------	--------

PERIMETER mm.	56.549
---------------	--------

WEIGHT kg/m	0.089
-------------	-------

DRAWING No.	SECTION No.
2212	2212
13157	13157

1. ALL DIMENSIONS ARE IN mm.
2. ROUND OFF ALL SHARP CORNERS WITH 0.40 mm.
3. TOLERANCES WILL BE AS PER IS:2673-2002 UNLESS OTHERWISE SPECIFIED

PARTY'S NAME	-
--------------	---

PARTY'S DRAWING No.	-
---------------------	---

ALLOY & TEMPER	HE9 WP
----------------	--------

DESCRIPTION	ROUND TUBE
-------------	------------