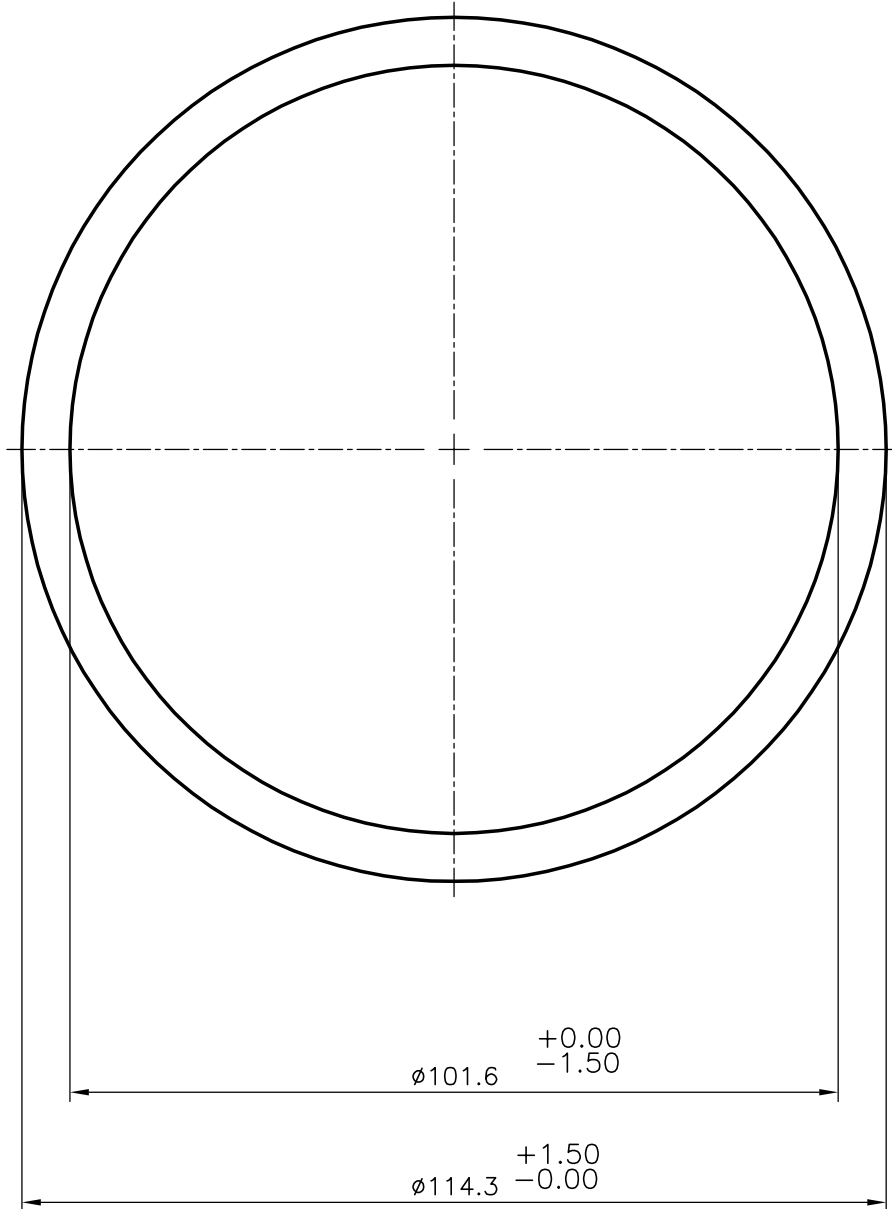


2215

13158



SYMBOL OF QUALITY  
AN ISO 9001 COMPANY

**JINDAL ALUMINIUM LTD.**  
BANGALORE-560073 (INDIA)

	NAME	DATE
DRAWN	J.P.KAUSHIK	07-10-2005
CHECKED		
APPROVED		

1. ALL DIMENSIONS ARE IN mm.
2. ROUND OFF ALL SHARP CORNERS WITH 0.40 mm.
3. TOLERANCES WILL BE AS PER IS:2673-2002 UNLESS OTHERWISE SPECIFIED

SCALE	1:1
AREA mm <sup>2</sup>	2153.507
PERIMETER mm.	359.084
WEIGHT kg/m	5.814

PARTY'S NAME	HINDUSTAN BROWN BOVERI LIMITED.,BARODA
PARTY'S DRAWING No.	-
ALLOY & TEMPER	E91E WP
DESCRIPTION	ROUND TUBE

DRAWING No.	SECTION No.
2215	2215
13158	13158