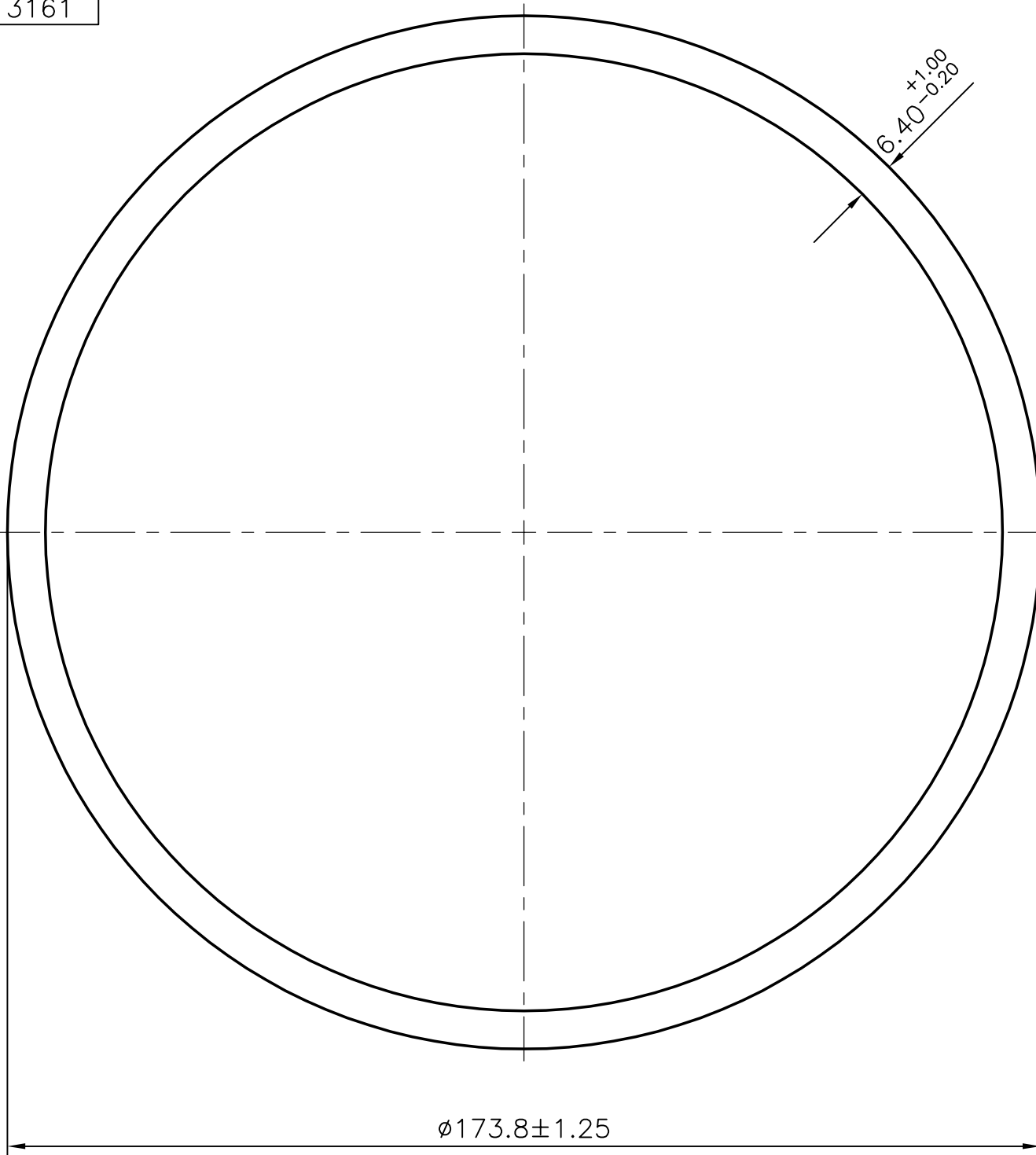


2219

13161



JINDAL ALUMINIUM LTD.
BANGALORE-560073

NAME

DATE

DRAWN

R.D.Sharma

3-8-95

CHECKED

APPROVED

1. ALL DIMENSIONS ARE IN mm.
2. ROUND OFF ALL SHARP CORNERS WITH 0.4 mm.
3. TOLERANCES WILL BE AS PER IS :2673-1979
UNLESS OTHERWISE SPECIFIED

PARTY'S NAME

B.P.L. INDIA PVT. LTD.,BANGALORE

SCALE

1:1

PARTY'S DRAWING No.

-

WEIGHT kg/m

9.087

ALLOY & TEMPER

HE9 WP

SECTION No.

13161

LENGTH

AS REQUIRED

DRAWING No.

DESCRIPTION

ROUND TUBE

13161